

- All steel shall be Fe500 N/mm<sup>2</sup>.
- Fix Reinforcement shown as shown in Drw's. The type and grade of Bar's indication, The Numerical following indicates size of bar's in millimeters.
- All Reinforcement to be firmly supported on approved chairs generally at not greater than 1000mm in both ways.
- All bars to be tied at intersections.
- Length of Reinforcement Bar's indicated on the Drw's are for the straightened out of shape.
- Where lap length not shown for main bars &/or cross rebars, is shall be considered as 50x dia of smaller bar of two bars in lap.
- Anchorage length if not specified in Drw's, shall be considered as 50x dia of smaller bar.
- In any case welding shall not be permitted in case other then specified on Drw's.
- Reinforcement shall not be continuous through contraction,expansion joint & through shrinkage and thermal strips if any.

As per IS Code 456-2000  
 Overlapping length should not be less than 75mm.  
 Lapping should be avoided in tensile zone of structure members.  
 Overlapping length of Reinf. Column: 48d  
 Beam: 50d  
 Slab: 50d

**\*\*\*CONCRETE STRUCTURE\*\*\***

- Shall meet all the requirements of IS - 456:2000 code.
- All procedure i.e bending, binding, centering, shuttering, formworks,lap, joints etc. to confirm with latest IS standards mechanically vibrate all concrete.
- Concrete mix design shall be a design mix in compliance with IS-10262-1982, based on 28days characteristic strength.
- Water to be used in concrete work should be clean & free from injurious oil's, acid's, alkalis, salt's, sugar, organic materials & other substances may be deleterious to the concrete or steel.
- Admixture : Accelerating Admixture, Retarding Admixture's, Water reducing admixture air entering admixture & super plasticizer shall comply with IS:9103-1999
- Workability of concrete shall be measured in accordance with IS:1199-1959/99.
- Durability of concrete shall be as per clause no - 8.1 & clause no - 8.2 of IS - 456:2000.
- Mini 6 Nos of concrete cubes shall be taken on each day of the concreting and or each of 50Cu.M of concrete as decided by consultant these cubes shall be tested in a approved lab only.
- Any discrepancy found between Drw's and any one of the documents mentioned i.e relevant architect Drw's, services Drw's tender conditions,material & workmanship specification & any such written instruction - shall be brought to notice of the consultant prior to the execution of the work, & proper clarification shall be sought regarding the same.
- Only Drw's issued by HRK\_Designs Structure Consultants India Pvt.Ltd printed on paper & stamped shall be termed as a valid for the following them for execution Drw's on any other media, including on the floppy/hard disk,CD's. shall be treated as only for the information,& shall not be used as a valid for execution.
- While executing the Structure other Drw's shall also be referred.
  - (a) Size & location of all doors & windows openings.
  - (b) Size & location of all interior & exterior non bearing partition walls.
  - (c) Depressed areas change in LVL, chamfer's, grooves, insert's etc.
  - (d) Dimension not shown on structure Drw's.
  - (e) Size of openings like doors, windows & ventilators.
  - (f) Refer to plumbing,electrical,mechanical Drw's for the following work item's.
- During concreting proper water/cement (W/C) ratio shall be maintained & check for slump test as well. proper workability of concrete shall be achieved, Needle vibrator shall be used while concreting.
- During site execution when Reinforcement bars for toilets are to be placed shall be checked in a manner it should properly shall be aligned with the dimensions & overlapping shall be done as per detailed Drw's and specification.
- During or while on going construction if or any as per site situations changes are required shall be immediately brought under Architect/team's under notice & same shall be brought under HRK\_Designs Structure Consultants India Pvt.Ltd Team's under written notice.
- Drawings issued & signed shall be finally considered for the execution any other format of Drw's in any manner like floppy disk, compact disk or any other means data shall be considered only for study purposes shall not be considered final for the execution.

**GENERAL NOTES**

- 1 - CONTRACTOR/EXECUTION TEAM CHECK DIMENSIONS & VERIFY BEFORE THE EXECUTION OF WORK.
- 2 - FIGURES & DIMENSIONS TO BE FOLLOWED.
- 3 - ALL DIMENSIONS ARE FEET'S & INCH'S UNTIL & UNLESS SPECIFIED.
- 4 - ALL REINFORCEMENT FOR RCC SHALL BE TMT BARS OF GRADE Fe 300 & ABOVE ONLY AS SPECIFIED IN IS:1786.
- 5 - ALL RCC CONCRETE SHALL BE AS PER IS - 456.
- 6 - CLEAR COVER SHOULD BE AS PER FOLLOWING SPECIFIED  
 (A) SLAB - 20mm (B) BEAMS TOP & BOTTOM- 30MM (C) BEAM SIDES - 25mm (D) - COLUMNS - 40mm (E) - FOOTINGS (Sides) - 50mm.
- 7 - WATER USED FOR CONCRETING SHALL MEET CL - 5.4 IS - 456.
- 8 - DEVELOPMENT LENGTH SHALL BE 48D (D - DIA OF BAR IN mm).

**CODES USED FOR DESIGNING**

- IS : 456 - INDIAN STANDARD CODE OF PRACTICE FOR PLAN & REINFORCED CONCRETE
- IS : 800-2007 - INDIAN STANDARD CODE OF PRACTICE FOR GENERAL CONSTRUCTION IN STEEL
- IS : 801-1975 - INDIAN STANDARD CODE OF PRACTICE FOR USE OF COLD FORMED LIGHT GAUGE STEEL STRUCTURAL MEMBERS IN GENERAL BUILDING CONSTRUCTION
- IS : 875-1987 - PART (I, 11, 111, & V) - INDIAN STANDARD CODE OF PRACTICE FOR DESIGN LOADS
- IS : 1893-2002 - INDIAN STANDARD CODE OF PRACTICE FOR EARTHQUAKE RESISTANCE DESIGN OF STRUCTURE

APPROVAL	
TENDER	
G.F.C	<input checked="" type="checkbox"/>
DOCUMENT	

SHEET - A GENERAL LAW'S

<b>SHEET TITLE</b> GOOD FOR CONSTRUCTION	<b>PROJECT BY:-</b>
<b>Drw No</b> LIST OF CONTENT	KD Architect Studio
<b>Drw - 1</b> Reinforcement Details As Per IS : 456	<b>Ar. Lakshay Drail Ji</b>
<b>Drw - 2</b> Concrete Law's	Bahadur Garh/Mundka Delhi NCR
<b>Drw - 3</b> General Law's	110041 INDIA

SCALE - NTS

<b>CHK</b>	<b>DRW</b>	<b>HRK_Designs Structure Consultants</b>
<b>AKA</b>	<b>PH</b>	India PVT.LTD
<b>HRKD/STR/13/02/23</b>		India's Leading
<b>HRKD/STR/GFC/13/02/23</b>		Structure + MEP Consultants
		Varena Bayview Road TPO Gurgaon
		Seraji Vardola - 390011
		www.hrkdsgns.in
		hrkdesigns@gmail.com
		+91-9380 930 347

# INDEX

S-1	Plot line Details
S-2-5	Center line Details
S-6	Col's & Ped's C/S Details
S-7-9	Foot's Plan & Details
S-10	PB Plan & Details
S-11-13	GF Beam Plan & Details
S-14-16	FF Beam Plan & Details
S-17-19	SF Beam & Slab Details
S-20-22	3F Beam & Slab Details
S-23-25	4F Beam & Slab Details

## \*\*\*\*\*General Notes\*\*\*\*\*

- During Excavation if Black Cotton Soil/Loose Soil/Gravels Soil /Soft Soil/ Clay Soil is found then it should be immediately brought under Architect/Structure Team(s) Notice immediately.
- Both Coarse Aggregate & Fine Aggregate shall be locally brought after specifically meeting IS Standards
- Nominal size of Coarse aggregate or Black Stones or Kapchi used for Concreting should not be more than 20 to 25mm else it should be brought under notice before usage
- Fine Aggregate shall be proper dry yellow silt sand having sharp edges, free from earth, silt, clay & organic vegetables
- Density of Aggregate shall be 2000Kg/M<sup>3</sup> to 3000Kg/M<sup>3</sup>
- Concreting for Footings Foundation & Pedestals should be permitted only after through surface cleaning
- Concreting for Plinth Beams should be permitted only after through Surface cleaning
- Concreting for Slab & Slab Beams should be permitted only after through Surface cleaning & Preparation of proper tools & Mechanism for lifting at particular location
- Needle Vibrator shall be used thoroughly for the Concrete compaction purposes. So that no honey combing is observed after concreting
- Water used for mixing should be clean, free from oils, Acid, Alkalis, Salt's, Sugar, organic matters.
- Water/Cement (W/C) ratio should be used as per the specified ratio & usage
- No admixture's or Chemical should be used for concreting without any prior notice to Architect/Structure Consultants & Conceting Agency
- Mini 6No's of Concrete cube's should be taken for Testing purposes.
- Strength of Concrete should be taken in consideration on 28th Day of concreting.
- Curing Should be done mini 3times in 1day
- Any changes as per the site conditions & Situations should be immediately brought under Architect/Structure Consultants Teams Notice prior to the work otherwise, it wont be Architect/Structure Team's responsibility
- For any Size & Location of Door's, Window's Ventilator's, Water Pipelines, Sewage Pipes Exterior Connections Details Architect Drawing's shall be considered final
- For any Structure Drawings & clarification Structure team should be brought under notice
- Tender Conditions to Material Technical Specification & Requirements should meet as per Architect and Client's need
- Concrete shall meet all the requirements as per IS 456:2000 Code
- Form work for the following should be removed as per following
  - Footings foundation - 14 days
  - Pedestals - 7Days
  - Columns - 7Days
  - Plinth Beams - (Sides) - 7Days, Slab - (Sides) - 7Days
  - Slab Beams - (Sides) - 14Days, Slab - (Bottom) - 14Days
  - Slab Beams - (Bottom) - 21Days

## Grade of Concrete as per Usage

- Slab - M:20 (1:2:4)
- Columns - M:25 (1:1.5:3)
- Beams - M:25 (1:1.5:3)
- Footings - M:25 (1:1.5:3)
- Foundation-M:25 (1:1.5:3)
- Pedestals M:25 (1:1.5:3)

SHEET TITLE	GOOD FOR CONSTRUCTION	PROJECT BY:-
Drw No 1	INDEX	KD Architect Studio
Drw - 2	GENERAL STRUCTURE	Ar. Lakhay Drall Ji
Drw - 3	GRADE OF CONCRETE	Bahadurgarh/Mundka Delhi NCR 110041 INDIA

APPROVAL	TENDER	DOCUMENT

- INDICATES HIGHER DIA BARS
- INDICATES SMALLER DIA BARS


### GENERAL NOTES

- 1 - CONTRACTOR/EXECUTION TEAM CHECK DIMENSIONS & VERIFY BEFORE THE EXECUTION OF WORK.
- 2 - FIGURES & DIMENSIONS TO BE FOLLOWED.
- 3 - ALL DIMENSIONS ARE FEET'S & INCH'S UNTIL & UNLESS SPECIFIED.
- 4 - ALL REINFORCEMENT FOR RCC SHALL BE TMT BARS OF GRADE Fe 300 & ABOVE ONLY AS SPECIFIED IN IS:1786.
- 5 - ALL RCC CONCRETE SHALL BE AS PER IS - 456.
- 6 - CLEAR COVER SHOULD BE AS PER FOLLOWING SPECIFIED
- (A) SLAB - 20mm (B) BEAMS TOP & BOTTOM- 30MM (C) BEAM SIDES - 25mm (D) - COLUMNS - 40mm (E) - FOOTINGS (Sides) - 50mm.
- 7 - WATER USED FOR CONCRETING SHALL MEET CL - 5.4 IS - 456.
- 8 - DEVELOPMENT LENGTH SHALL BE 48D (D - DIA OF BAR IN mm).

### CODES USED FOR DESIGNING

- IS : 456 - INDIAN STANDARD CODE OF PRACTICE FOR PLAN & REINFORCED CONCRETE
- IS : 800-2007 - INDIAN STANDARD CODE OF PRACTICE FOR GENERAL CONSTRUCTION IN STEEL
- IS : 801-1975 - INDIAN STANDARD CODE OF PRACTICE FOR USE OF COLD FORMED LIGHT GAUGE STEEL STRUCTURAL MEMBERS IN GENERAL BUILDING CONSTRUCTION
- IS : 875-1987 - PART (1, 11, 111, & V) - INDIAN STANDARD CODE OF PRACTICE FOR DESIGN LOADS
- IS : 1893-2002 - INDIAN STANDARD CODE OF PRACTICE FOR EARTHQUAKE RESISTANCE DESIGN OF STRUCTURE

SCALE - NTS	R-0
-------------	-----

CHK AKA	DRW PH	HRK_Designs Structure Consultants India PVT.LTD India's Leading Structure + MEP Consultants
HRKD/STR/13/02/23		Varna Bagel Road TPO Cent Sector V Gurgaon - 380011 www.hrkdsgn.in hrkna@hrkdsgn.in +91-9800 930 347
HRKD/STR/GFC/13/02/23		

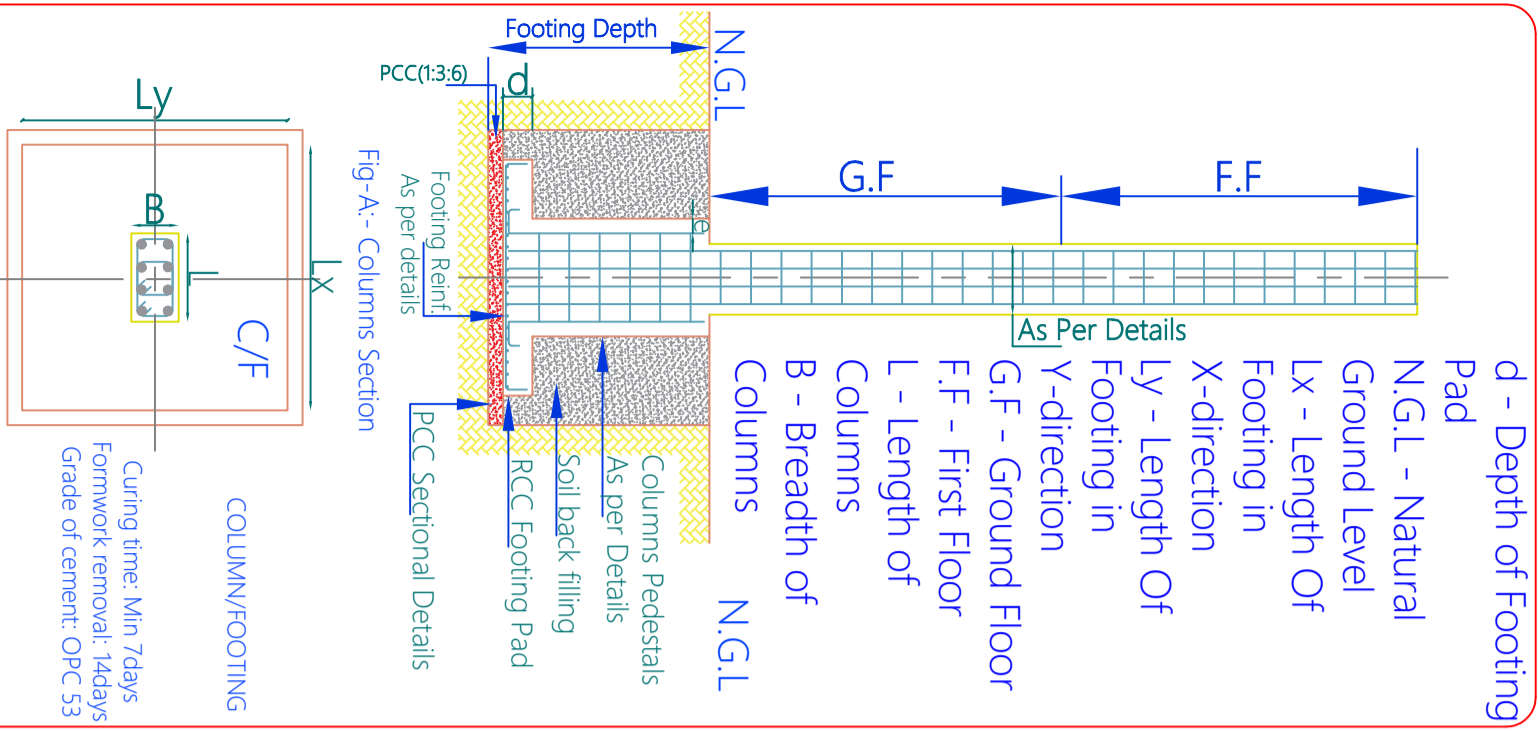


Fig-B:- Footing Pad Showing Reinforcement in X & Y Direction

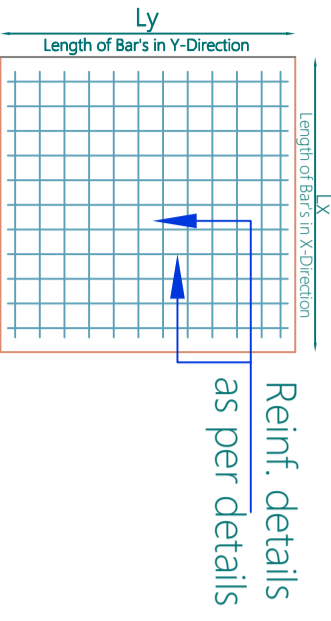
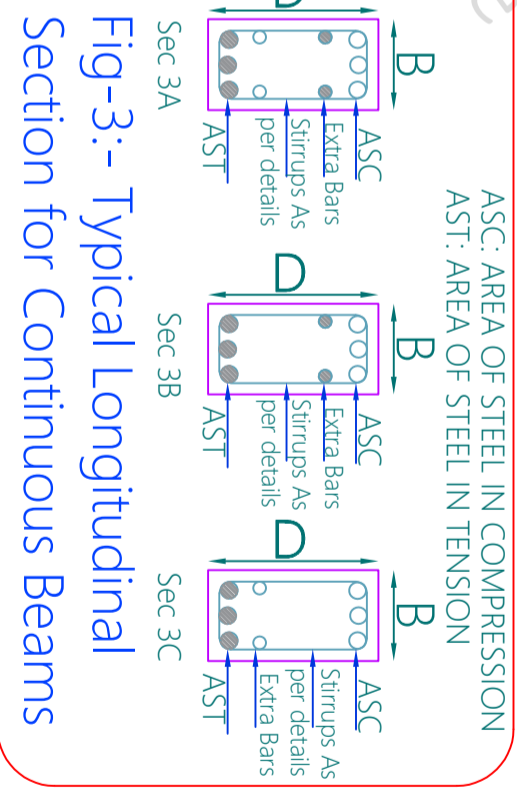
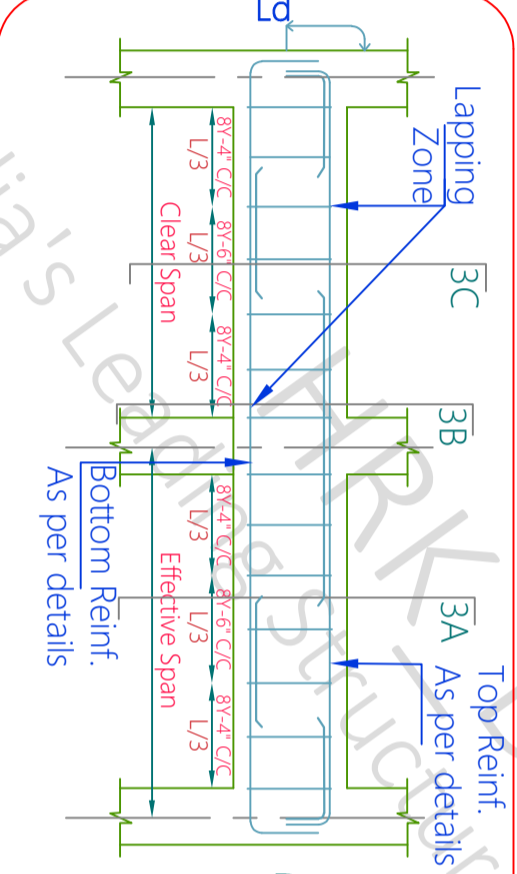
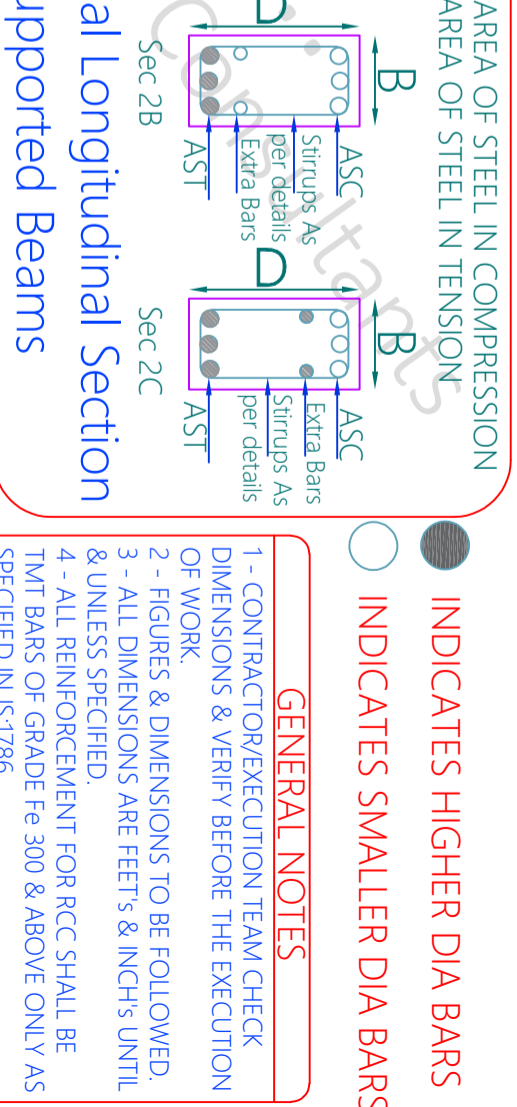
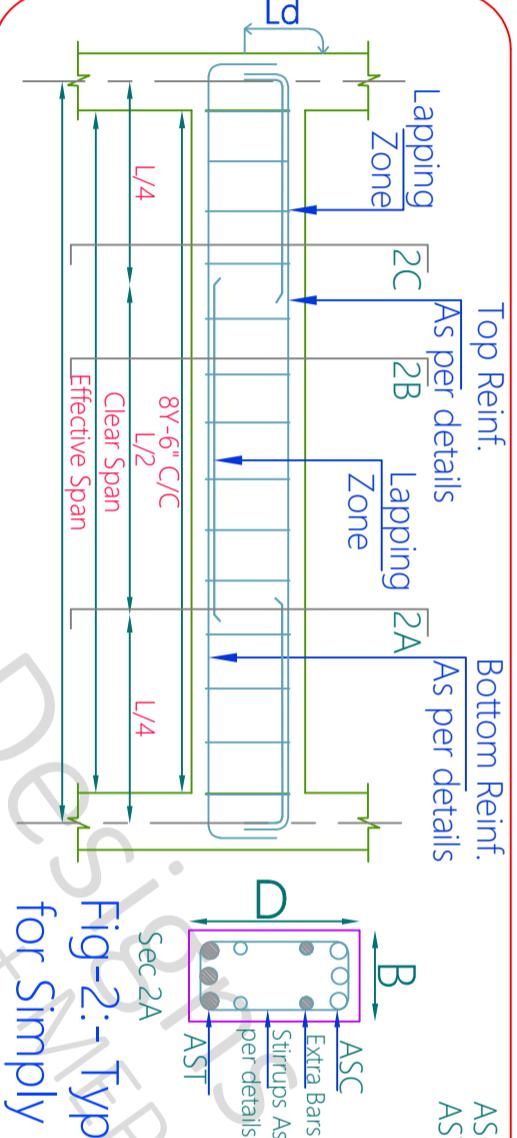
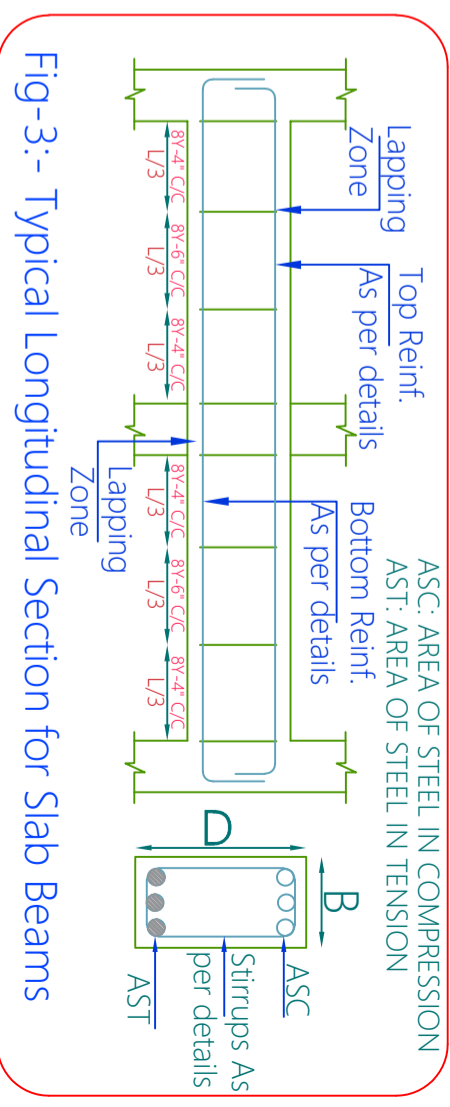
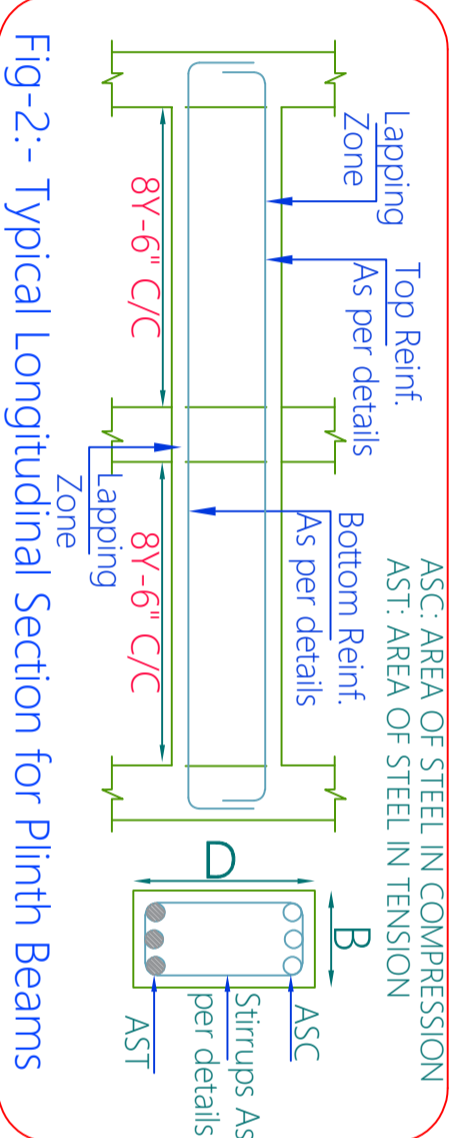


Fig-C:- Footing Pad Showing Reinforcement in X & Y Direction

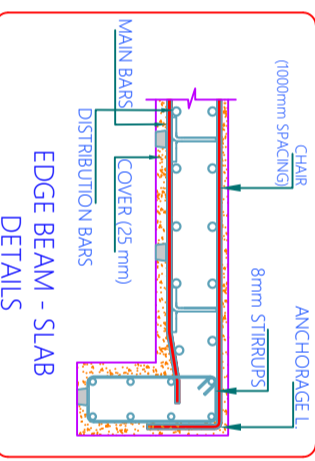
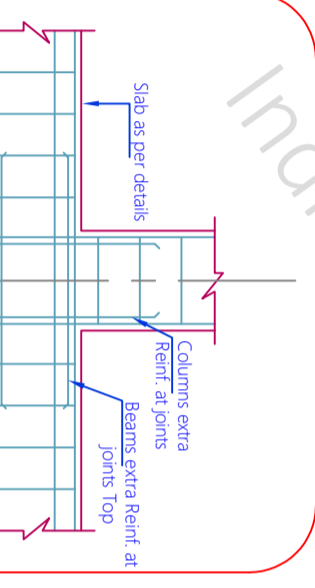


**GENERAL NOTES**

- 1 - CONTRACTOR/EXECUTION TEAM CHECK DIMENSIONS & VERIFY BEFORE THE EXECUTION OF WORK.
- 2 - FIGURES & DIMENSIONS TO BE FOLLOWED.
- 3 - ALL DIMENSIONS ARE FEET'S & INCH'S UNTIL & UNLESS SPECIFIED.
- 4 - ALL REINFORCEMENT FOR RCC SHALL BE TMT BARS OF GRADE Fe 300 & ABOVE ONLY AS SPECIFIED IN IS:1786.
- 5 - ALL RCC CONCRETE SHALL BE AS PER IS - 456.
- 6 - CLEAR COVER SHOULD BE AS PER FOLLOWING SPECIFIED
- (A) SLAB - 20mm (B) BEAMS TOP & BOTTOM- 30MM (C) BEAM SIDES - 25mm (D) - COLUMNS - 40mm (E) - FOOTINGS (Sides) - 50mm.
- 7 - WATER USED FOR CONCRETING SHALL MEET CL - 5.4 IS - 456.
- 8 - DEVELOPMENT LENGTH SHALL BE 48D (D - DIA OF BAR IN mm).

**CODES USED FOR DESIGNING**

- IS : 456 - INDIAN STANDARD CODE OF PRACTICE FOR PLAN & REINFORCED CONCRETE
- IS : 800-2007 - INDIAN STANDARD CODE OF PRACTICE FOR GENERAL CONSTRUCTION IN STEEL
- IS : 801-1975 - INDIAN STANDARD CODE OF PRACTICE FOR USE OF COLD FORMED LIGHT GAUGE STEEL STRUCTURAL MEMBERS IN GENERAL BUILDING CONSTRUCTION
- IS : 875-1987 - PART (I, 11, 111, & V) - INDIAN STANDARD CODE OF PRACTICE FOR DESIGN LOADS
- IS : 1893-2002 - INDIAN STANDARD CODE OF PRACTICE FOR EARTHQUAKE RESISTANCE DESIGN OF STRUCTURE



**Form work details:**

The Form work shall be designed and constructed so as to remain sufficiently rigid during placing and compaction of concrete, and shall be such as to prevent loss of slurry from the concrete.

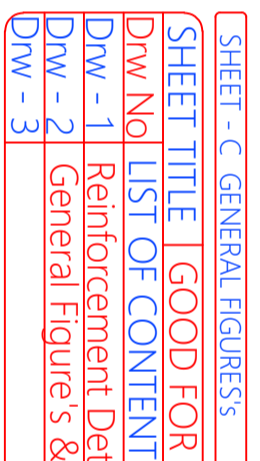
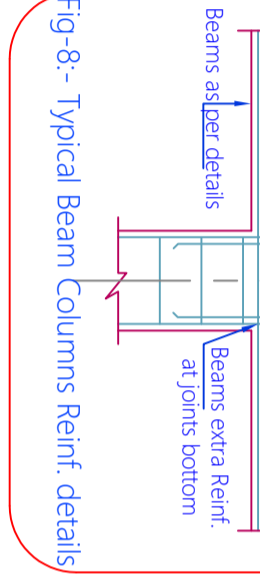
**SCALE - NTS**

**CHK DRW**

**AKA PH**

**HRKD/STR/13/02/23**

**HRKD/STR/GFC/13/02/23**



**Form work details:**

The Form work shall be designed and constructed so as to remain sufficiently rigid during placing and compaction of concrete, and shall be such as to prevent loss of slurry from the concrete.

**SCALE - NTS**

**CHK DRW**

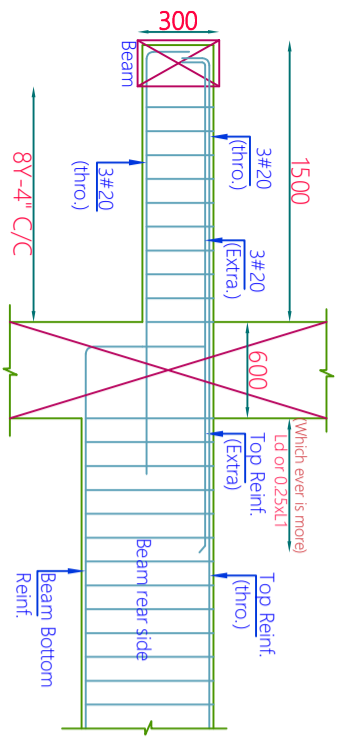
**AKA PH**

**HRKD/STR/13/02/23**

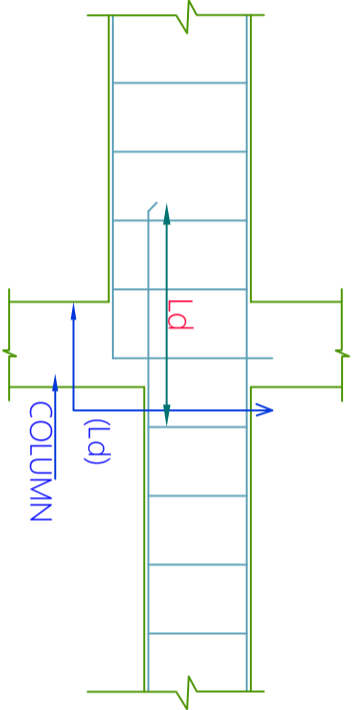
**HRKD/STR/GFC/13/02/23**

SHEET - C GENERAL FIGURES		NURSING CLG	
SHEET TITLE GOOD FOR CONSTRUCTION		PROJECT BY:-	
DRAW NO LIST OF CONTENT		KD Architect Studio	
Dw - 1 Reinforcement Details As Per IS 456		Ar. Lakshay Drall Ji	
Dw - 2 General Figure's & Specification		Bahadur Garh/Mundka Delhi NCR	
Dw - 3		110041 INDIA	

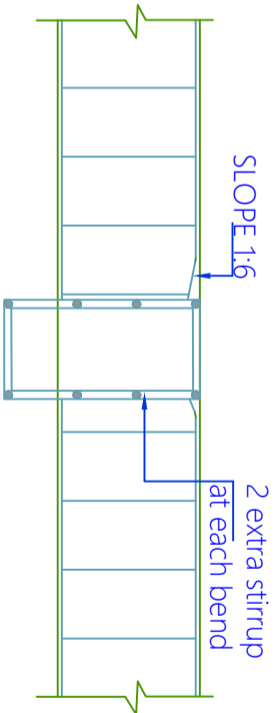
HRK Designs Structure Consultants  
India Pvt Ltd  
India's Leading  
Structure + MEP Consultants  
Varanasi Bagail Road TPO Gauri  
Sewari Varanasi - 221011  
www.hrkdsgns.in  
hrkdesigns@gmail.com  
+91-9380 930 347



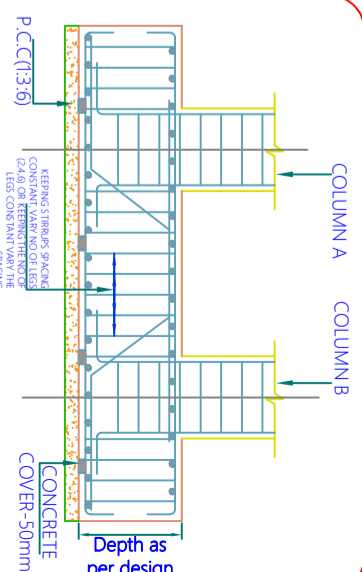
L-SEC. OF CANTILEVER BEAM



TYPICAL DETAILS OF REINF. AT THE JUNCTION OF TWO BEAMS OF UNEQUAL DEPTH



TYPICAL DETAILS OF REINF. AT THE JUNCTION OF TWO BEAMS OF UNEQUAL DEPTH



FOOTING BEAM

Form work details: IS456-2000 Clause 11

The form work shall be designed and constructed so as to remain sufficiently rigid during placing and compaction of concrete, and shall be such as to prevent loss of slurry from the concrete.

GENERAL NOTES

- 1 - CONTRACTOR/EXECUTION TEAM CHECK DIMENSIONS & VERIFY BEFORE THE EXECUTION OF WORK.
- 2 - FIGURES & DIMENSIONS TO BE FOLLOWED.
- 3 - ALL DIMENSIONS ARE FEET'S & INCH'S UNTIL & UNLESS SPECIFIED.
- 4 - ALL REINFORCEMENT FOR RCC SHALL BE TMT BARS OF GRADE Fe 300 & ABOVE ONLY AS SPECIFIED IN IS:1786.
- 5 - ALL RCC CONCRETE SHALL BE AS PER IS - 456.
- 6 - CLEAR COVER SHOULD BE AS PER FOLLOWING SPECIFIED
- (A) SLAB - 20mm (B) BEAMS TOP & BOTTOM- 30MM (C) BEAM SIDES - 25mm (D) - COLUMNS - 40mm (E) - FOOTINGS (Sides) - 50mm.
- 7 - WATER USED FOR CONCRETING SHALL MEET CL - 5.4 IS - 456.
- 8 - DEVELOPMENT LENGTH SHALL BE 48D (D - DIA OF BAR IN mm).

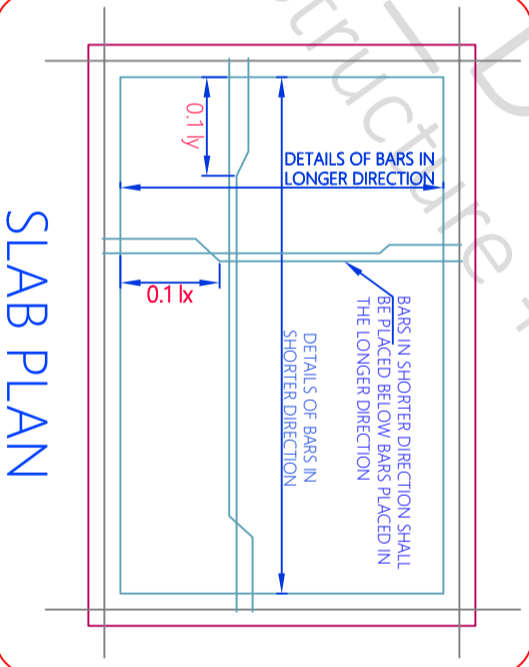
CODES USED FOR DESIGNING

- IS : 456 - INDIAN STANDARD CODE OF PRACTICE FOR PLAN & REINFORCED CONCRETE
- IS : 800-2007 - INDIAN STANDARD CODE OF PRACTICE FOR GENERAL CONSTRUCTION IN STEEL
- IS : 801-1975 - INDIAN STANDARD CODE OF PRACTICE FOR USE OF COLD FORMED LIGHT GAUGE STEEL STRUCTURAL MEMBERS IN GENERAL BUILDING CONSTRUCTION
- IS : 875-1987 - PART (I, 11, 111, & V) - INDIAN STANDARD CODE OF PRACTICE FOR DESIGN LOADS
- IS : 1893-2002 - INDIAN STANDARD CODE OF PRACTICE FOR EARTHQUAKE RESISTANCE DESIGN OF STRUCTURE

SCALE - NTS R-0

APPROVAL	
TENDER	
G.F.C	
DOCUMENT	

INDICATES HIGHER DIA BARS  
INDICATES SMALLER DIA BARS



SLAB PLAN

- removal of form work
- immediately after
- (Props to be re fixed
- beams : 7 days
- Soffit formwork to
- slabs
- 16-24 hrs
- Soffit formwork to
- beams : 7 days
- immediately after
- removal of form work
- Props to slabs
- Spanning up to 4.5 m :
- 7 days
- Spanning over 4.5 m :
- 14 days
- Props to beams and
- arches :
- Spanning up to 6 m :
- 14 days
- Spanning over 6 m :
- 21 days

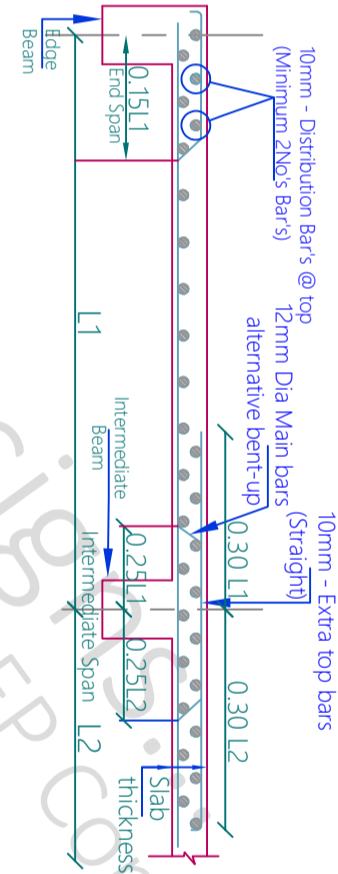


Fig -4:- Typical Slab Section for all the floors

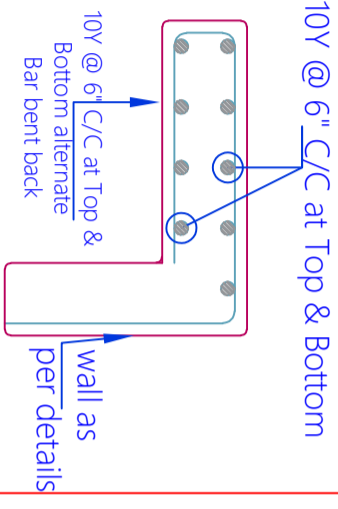


Fig-7:- Reinforcement Details for lintel cum Sunshade

DESIGN LOAD :-

(As per IS 875 part I to III & V IS1893:2002)

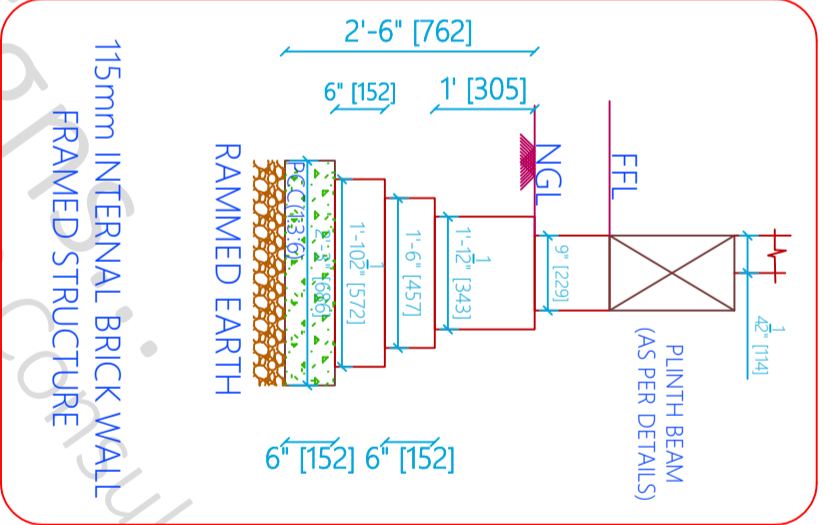
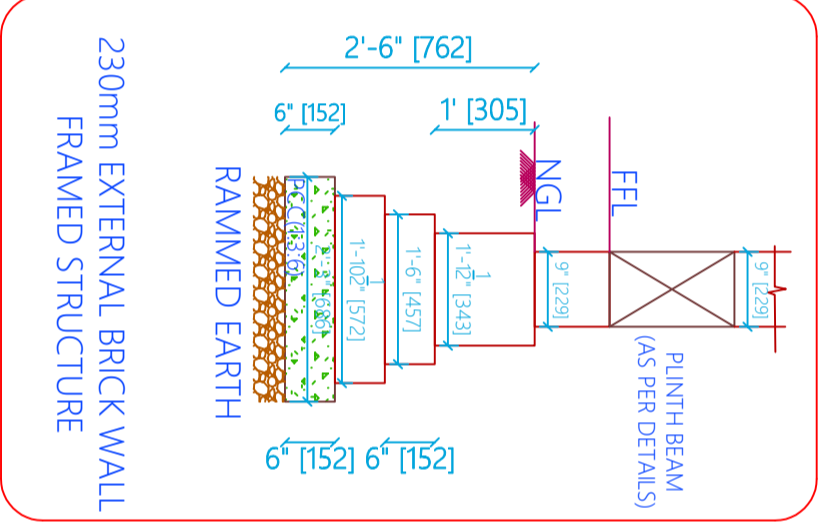
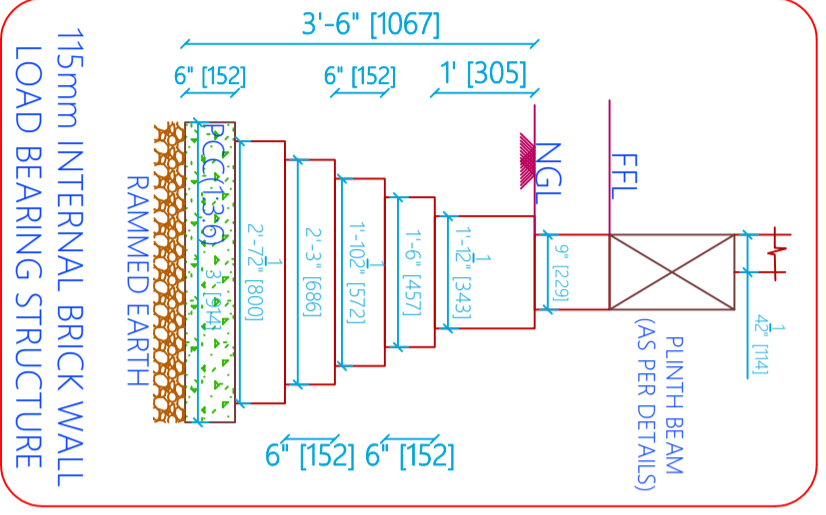
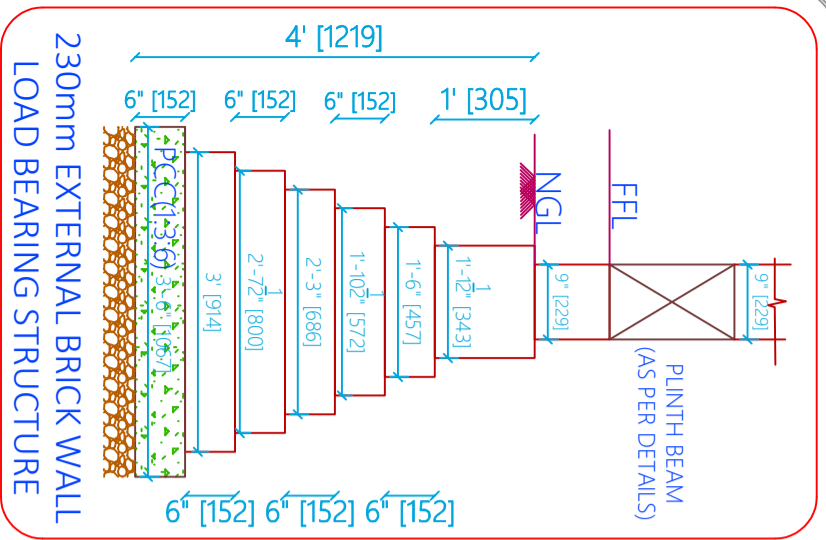
1. LOADS :	3. ALLOWABLE DEFLECTION FACTOR :
ROOF LIVE LOAD..... 2.0 kPa	FOR ROOF : LIVE LOAD = L/360
BEAMS LIVE LOAD..... 3.0 kPa	TOTAL LOAD = L/240
ROOF DEAD LOAD..... 1.5 kPa	
FLOOR DEAD LOAD..... 2.5 kPa	FOR FLOOR : LIVE LOAD = L/360
LIVE LOADS	TOTAL LOAD = L/240
BED ROOM, LIVING ROOM..... 3.0 kPa	
TOILET AREA..... 3.0 kPa	
STAIRCASE, PASSAGE, BALCONY..... 5.0 kPa	
LOUNGE..... 5.0 kPa	
INTERIOR WALL DEAD LOAD..... 1.20 kPa	
2. SEISMIC DATA :	4. WIND DATA :
SEISMIC ZONE..... III	BASIC WIND SPEED..... 52 m/s
ZONE FACTOR (Z)..... 0.25	RISK COEFFICIENT (K1)..... 1.00
IMPORTANCE FACTOR (I)..... 1.5	TERRAIN COEFFICIENT (K2)..... 1.00
RESPONSE REDUCTION FACTOR (R)..... 5	TOPOGRAPHY FACTOR (K3)..... 1.00
SEISMIC INTENSITY..... MODERATE	DESIGN WIND SPEED..... 52 m/s

This Building is designed for G+4 (NURSING CLG) Storey Structure only

2. SEISMIC DATA :	4. WIND DATA :
SEISMIC ZONE..... III	BASIC WIND SPEED..... 52 m/s
ZONE FACTOR (Z)..... 0.25	RISK COEFFICIENT (K1)..... 1.00
IMPORTANCE FACTOR (I)..... 1.5	TERRAIN COEFFICIENT (K2)..... 1.00
RESPONSE REDUCTION FACTOR (R)..... 5	TOPOGRAPHY FACTOR (K3)..... 1.00
SEISMIC INTENSITY..... MODERATE	DESIGN WIND SPEED..... 52 m/s

SHEET - D GENERAL FIGURES	NURSING CLG
SHEET TITLE GOOD FOR CONSTRUCTION	PROJECT BY:-
Drw No LIST OF CONTENT	KD Architect Studio
Drw - 1 Reinforcement Details As Per IS 456	Ar. Lakshay Drail Ji
Drw - 2 General Figure's & Specification	Bahadur Garh/Mundka Delhi NCR
Drw - 3	110041 INDIA

CHK DRW	HRK Designs Structure Consultants
AKA PH	India Pvt.LTD
HRKD/STR/13/02/23	Structure + MEP Consultants
HRKD/STR/GFC/13/02/23	Vasna Bagell Road TPO Court
	Sarai Vaidolida - 390011
	www.hrkdsgns.in
	nananate@hrkdsgns.in
	+91-9380 930 347



**RATIO - APPLICATION**

1:6 - INTERNAL PLASTER/ FLOORING
1:6 - BRICK MASONRY
1:5 - EXTERNAL PLASTER
1:4 - HALF BRICK MASONRY
1:3 - CEILING PLASTER
1:3 - REPAIR PLASTER
1:3 - REINFORCED BRICK WORK
1:3 - WATER LOGGED AREA
1:1 - CEMENT GROUTING
1:2 - POINT LOAD
1:2 - FLOORING
1:2 - STONE MASONRY

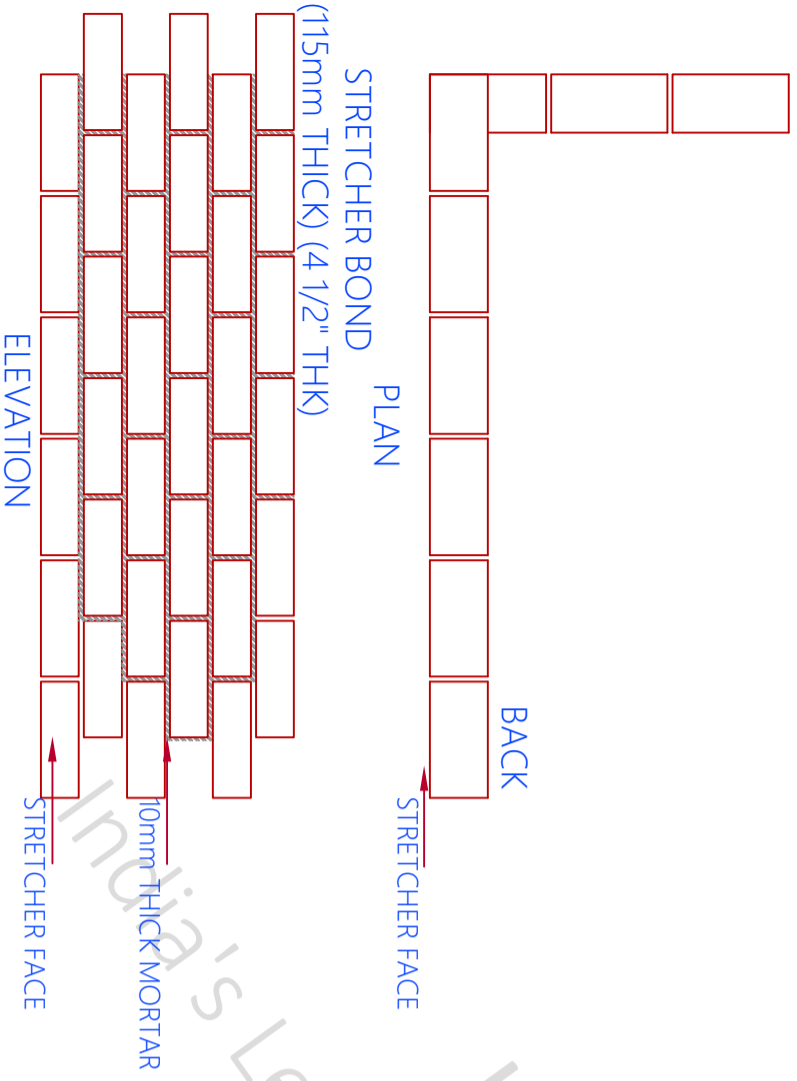
**RATIO OF CEMENT MORTAR**

**GENERAL NOTES**

- 1 - CONTRACTOR/EXECUTION TEAM CHECK DIMENSIONS & VERIFY BEFORE THE EXECUTION OF WORK.
- 2 - FIGURES & DIMENSIONS TO BE FOLLOWED.
- 3 - ALL DIMENSIONS ARE FEET'S & INCH'S UNTIL & UNLESS SPECIFIED.
- 4 - ALL REINFORCEMENT FOR RCC SHALL BE TMT BARS OF GRADE Fe 300 & ABOVE ONLY AS SPECIFIED IN IS:1786.
- 5 - ALL RCC CONCRETE SHALL BE AS PER IS - 456.
- 6 - CLEAR COVER SHOULD BE AS PER FOLLOWING SPECIFIED
- (A) SLAB - 20mm (B) BEAMS TOP & BOTTOM- 30MM (C) BEAM SIDES - 25mm (D) - COLUMNS - 40mm (E) - FOOTINGS (Sides) - 50mm.
- 7 - WATER USED FOR CONCRETING SHALL MEET CL - 5.4 IS - 456.
- 8 - DEVELOPMENT LENGTH SHALL BE 48D (D - DIA OF BAR IN mm).

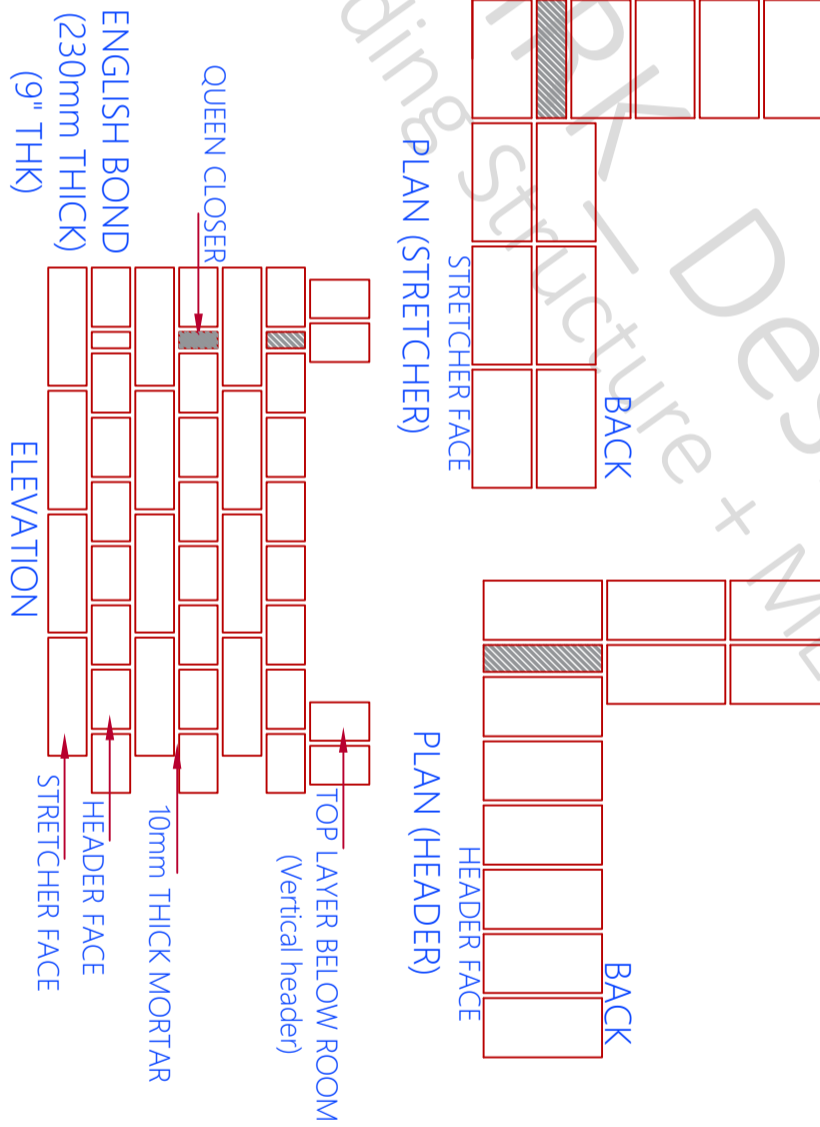
**CODES USED FOR DESIGNING**

- IS : 456 - INDIAN STANDARD CODE OF PRACTICE FOR PLAN & REINFORCED CONCRETE
- IS : 800-2007 - INDIAN STANDARD CODE OF PRACTICE FOR GENERAL CONSTRUCTION IN STEEL
- IS : 801-1975 - INDIAN STANDARD CODE OF PRACTICE FOR USE OF COLD FORMED LIGHT GAUGE STEEL STRUCTURAL MEMBERS IN GENERAL BUILDING CONSTRUCTION
- IS : 875-1987 - PART (1, 11, 111, & V) - INDIAN STANDARD CODE OF PRACTICE FOR DESIGN LOADS
- IS : 1893-2002 - INDIAN STANDARD CODE OF PRACTICE FOR EARTHQUAKE RESISTANCE DESIGN OF STRUCTURE



**SECTION A-A'**

- 1-The color of bricks should be bright and uniform
- 2-They should be well burned and having smooth surfaces and sharp edges.
- 3-Thermal conductivity of bricks should be less and they should be sound proof
- 4-They shouldn't absorb more than 20% by weight when we place it in water
- 5-There should not be any scratch left on the brick when we scratched with finger nail
- 6-When we struck two bricks together, ringing sound should be delivered
- 7-Structure of bricks should be homogeneous and uniform.
- 8-The bricks should not break when we dropped it from 1m height
- 9-There should not be any white deposits on brick, when we soak it in water for 24hrs



**SECTION B-B'**

**SHEET - E GENERAL FIGURES**

SHEET TITLE	GOOD FOR CONSTRUCTION
Draw No	LIST OF CONTENT
Draw - 1	Reinforcement Details As Per IS 456
Draw - 2	General Figure's & Specification
Draw - 3	

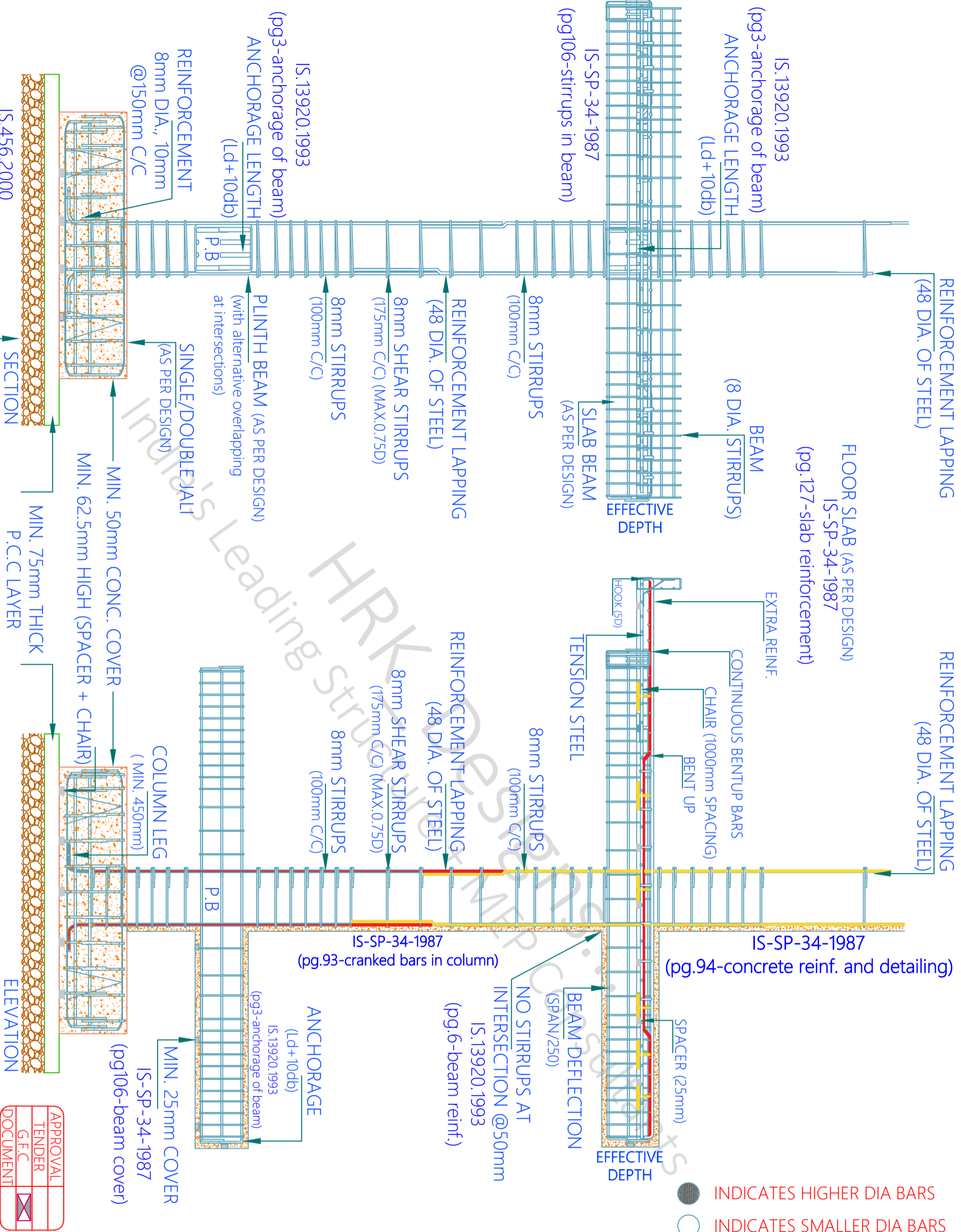
APPROVAL	
TENDER	
G.F.C	
DOCUMENT	

**PROJECT BY:-**

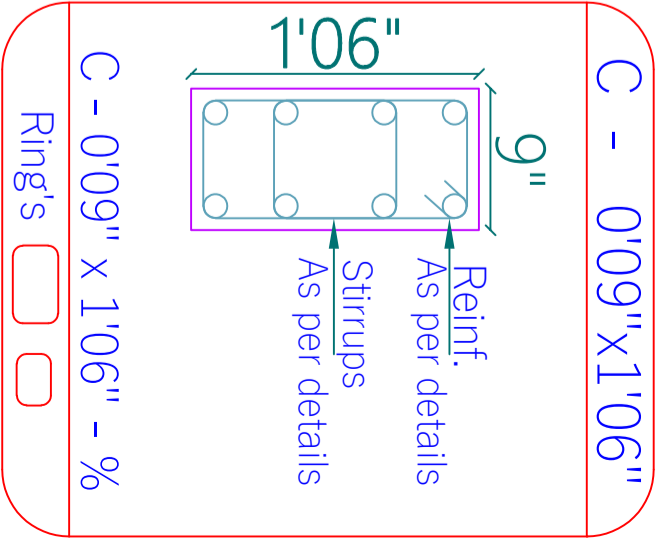
**PROJECT BY:-**  
 KD Architect Studio  
 Ar. Lakhay Drail Ji  
 Bahadurgarh/Mundka Delhi NCR  
 110041 INDIA

**SCALE - NTS**

CHK	DRW	HRK_Designs Structure Consultants
AKA	PH	India's Leading Structure + MEP Consultants
HRKD/STR/13/02/23		Varanasi Bagel Road TR2 Gdrti
HRKD/STR/GFC/13/02/23		Special Vardodda - 390011
		www.hrkdsgn.in
		nanamate@hrkdsgn.in
		+91-9380 930 347



● INDICATES HIGHER DIA BARS  
○ INDICATES SMALLER DIA BARS



**GENERAL NOTES**

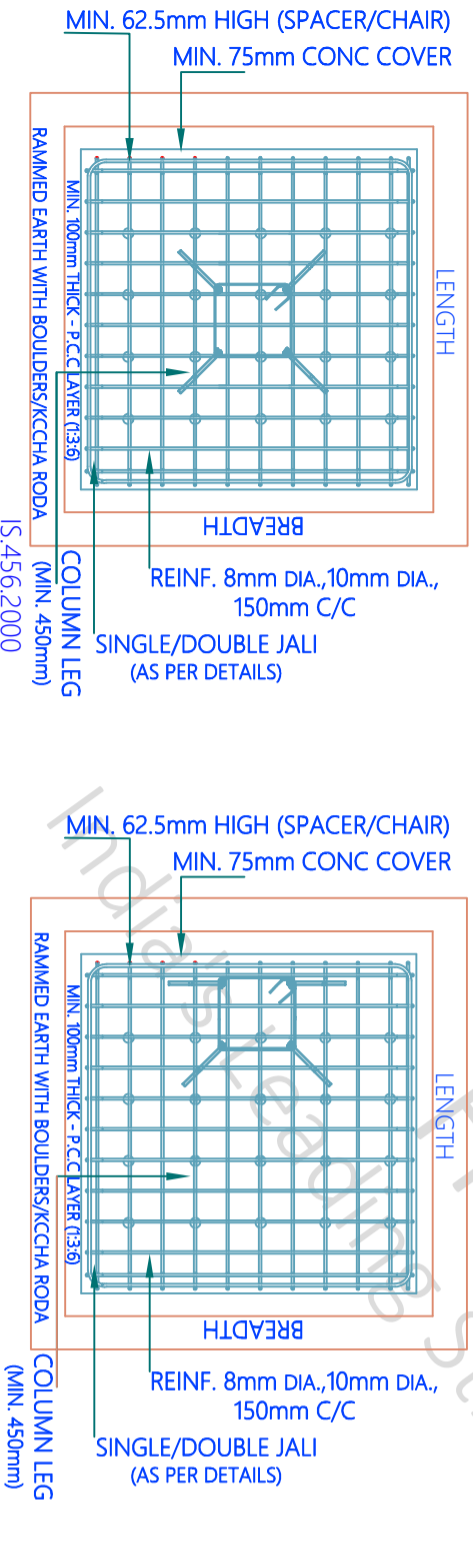
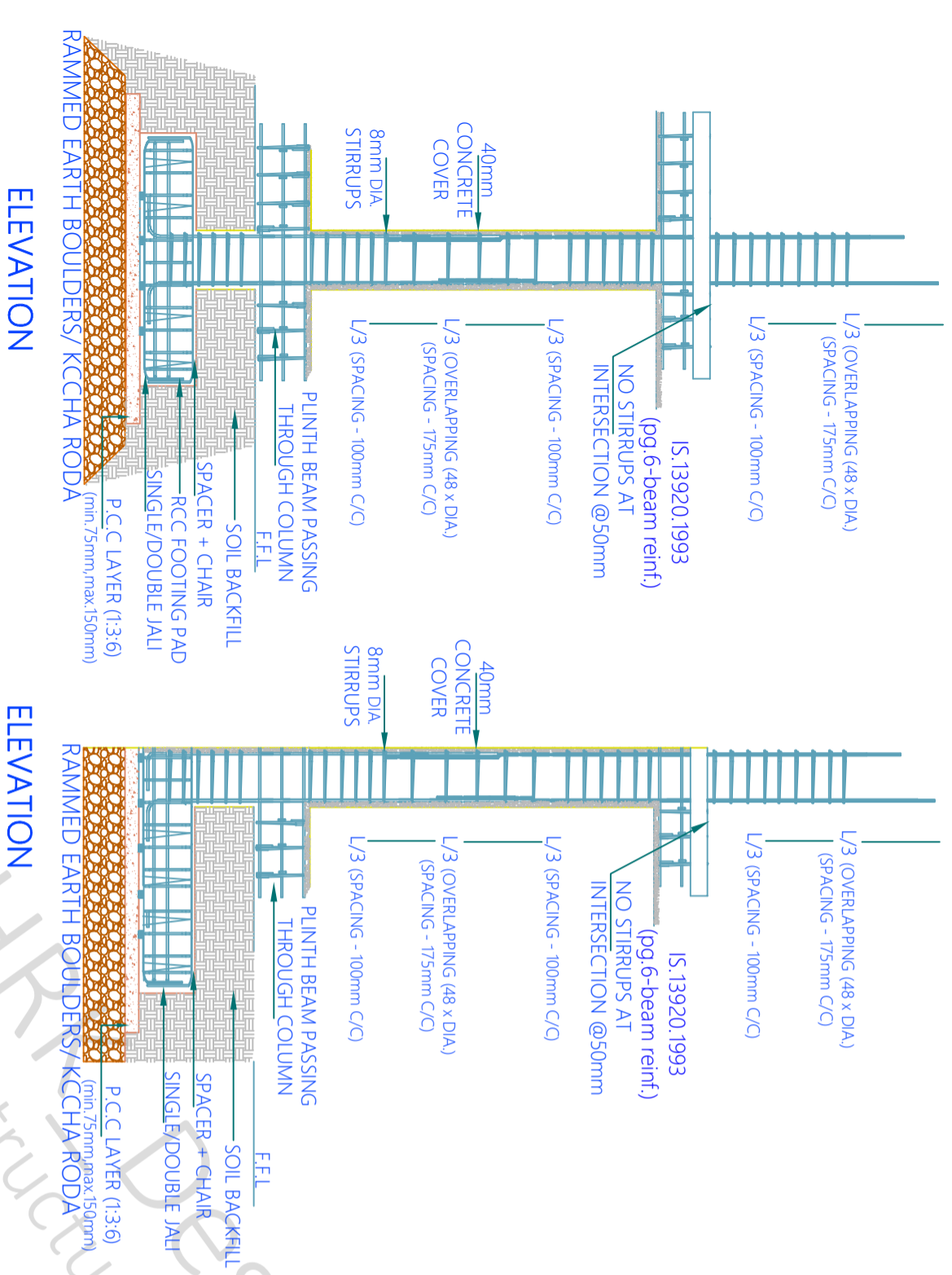
- 1 - CONTRACTOR/EXECUTION TEAM CHECK DIMENSIONS & VERIFY BEFORE THE EXECUTION OF WORK.
- 2 - FIGURES & DIMENSIONS TO BE FOLLOWED.
- 3 - ALL DIMENSIONS ARE FEET'S & INCH'S UNTIL & UNLESS SPECIFIED.
- 4 - ALL REINFORCEMENT FOR RCC SHALL BE TMT BARS OF GRADE Fe 300 & ABOVE ONLY AS SPECIFIED IN IS:1786.
- 5 - ALL RCC CONCRETE SHALL BE AS PER IS - 456.
- 6 - CLEAR COVER SHOULD BE AS PER FOLLOWING SPECIFIED  
(A) SLAB - 20mm (B) BEAMS TOP & BOTTOM- 30MM (C) BEAM SIDES - 25mm (D) - COLUMNS - 40mm (E) - FOOTINGS (Sides) - 50mm.
- 7 - WATER USED FOR CONCRETING SHALL MEET CL - 5.4 IS - 456.
- 8 - DEVELOPMENT LENGTH SHALL BE 48D (D - DIA OF BAR IN mm).

**CODES USED FOR DESIGNING**

- IS : 456 - INDIAN STANDARD CODE OF PRACTICE FOR PLAN & REINFORCED CONCRETE
- IS : 800-2007 - INDIAN STANDARD CODE OF PRACTICE FOR GENERAL CONSTRUCTION IN STEEL
- IS : 801-1975 - INDIAN STANDARD CODE OF PRACTICE FOR USE OF COLD FORMED LIGHT GAUGE STEEL STRUCTURAL MEMBERS IN GENERAL BUILDING CONSTRUCTION
- IS : 875-1987 - PART (I, 11, 111, & V) - INDIAN STANDARD CODE OF PRACTICE FOR DESIGN LOADS
- IS : 1893-2002 - INDIAN STANDARD CODE OF PRACTICE FOR EARTHQUAKE RESISTANCE DESIGN OF STRUCTURE

SHEET - F GENERAL FIGURES		NURSING CLG	
SHEET TITLE GOOD FOR CONSTRUCTION		PROJECT BY:-	
Draw No LIST OF CONTENT		KD Architect Studio	
Draw - 1 Reinforcement Details As Per IS 456		Ar. Lakhay Drail Ji	
Draw - 2 General Figure's & Specification		Bahadur Garh/Mundka Delhi NCR	
Draw - 3		110041 INDIA	

APPROVAL	TENDER	G.F.C	DOCUMENT
<input type="checkbox"/>	<input type="checkbox"/>	<input type="checkbox"/>	<input type="checkbox"/>
CHK	DRW	AKA	PH
HRKD/STR/13/02/23	HRKD/STR/13/02/23	HRKD/STR/13/02/23	HRKD/STR/GFC/13/02/23



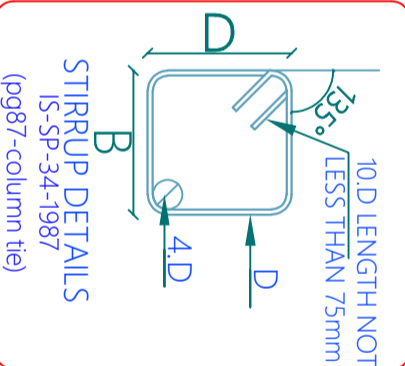
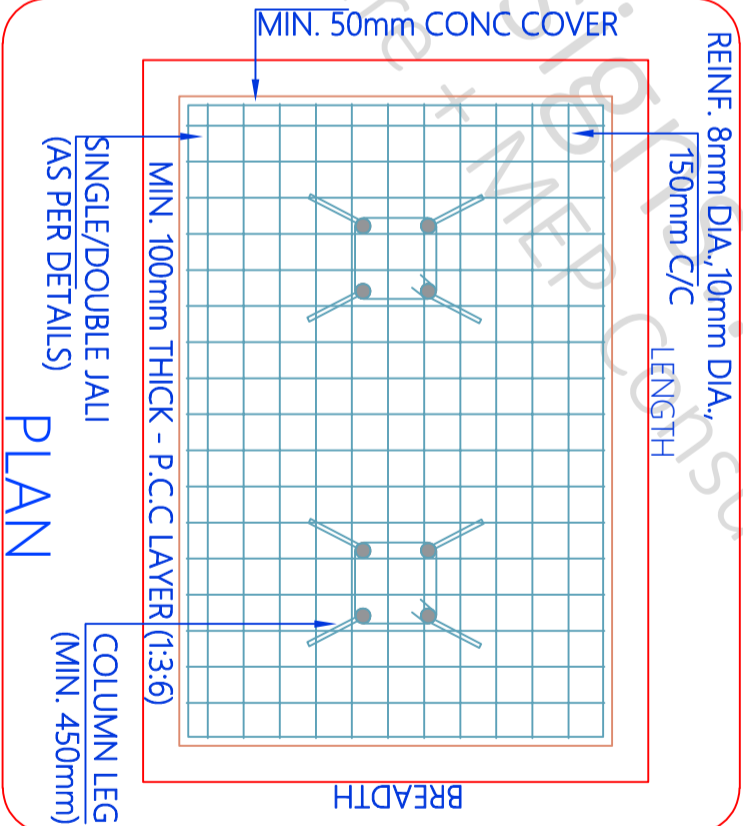
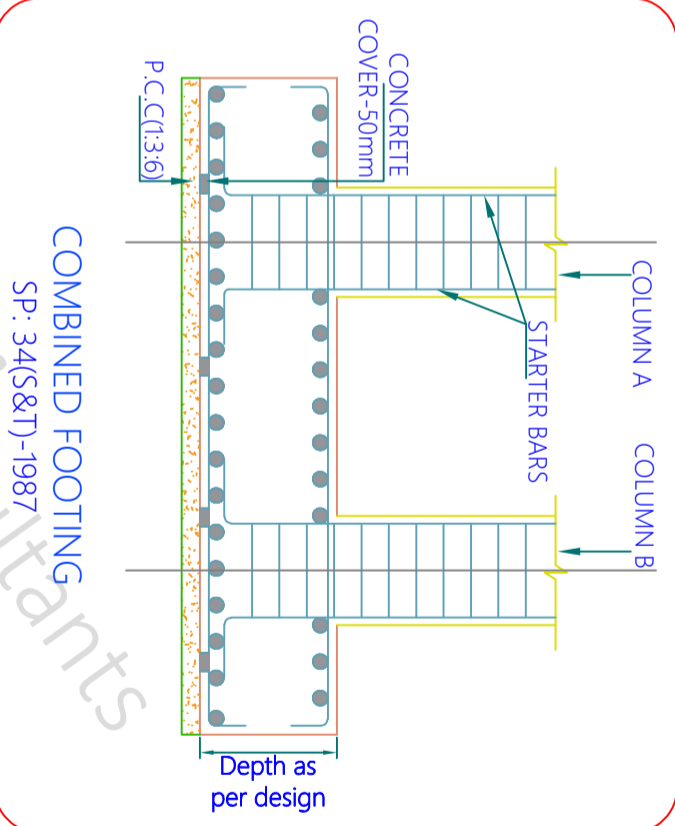
**ISOLATED FOOTING**

**PLAN**

(pg.46-nominal cover)  
slab -20mm,beams-25mm,  
columns-40mm,footings-50mm

**ECCENTRIC FOOTING**

**PLAN**



APPROVAL	
TENDER	
G.F.C	
DOCUMENT	

SHEET - G GENERAL FIGURES

NURSING CLG

SCALE - NTS

R-0

SHEET TITLE	GOOD FOR CONSTRUCTION
Drw No	LIST OF CONTENT
Drw - 1	Reinforcement Details As Per IS 456
Drw - 2	General Figure's & Specification
Drw - 3	

PROJECT BY:-	KD Architect Studio
	Ar. Lakhay Drail Ji
	Bahadur Garh/Mundka Delhi NCR
	110041 INDIA

CHK	DRW
AKA	PH
HRKD/STR/13/02/23	
HRKD/STR/GFC/13/02/23	

HRK Designs Structure Consultants  
India Pvt.LTD  
India's Leading  
Structure + MEP Consultants  
Varanasi Bagail Road Tr2 Ghat  
Sewari Vaidodia - 390011  
www.hrkdsgns.in  
hrkdesigns@gmail.com  
+91 9380 930 347

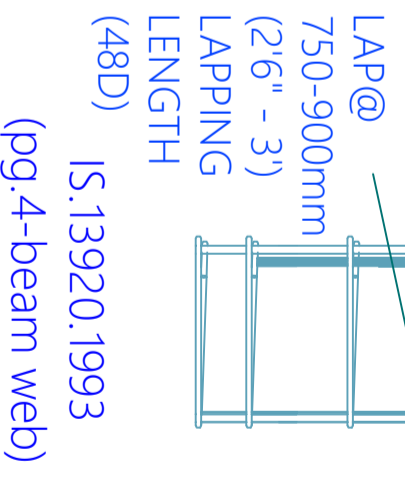
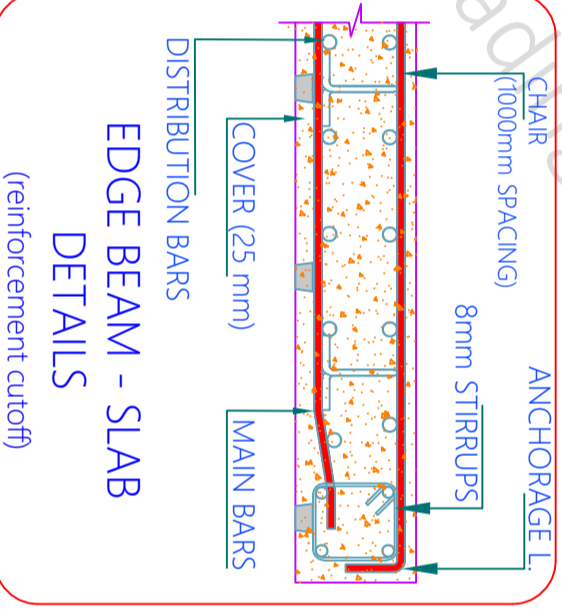
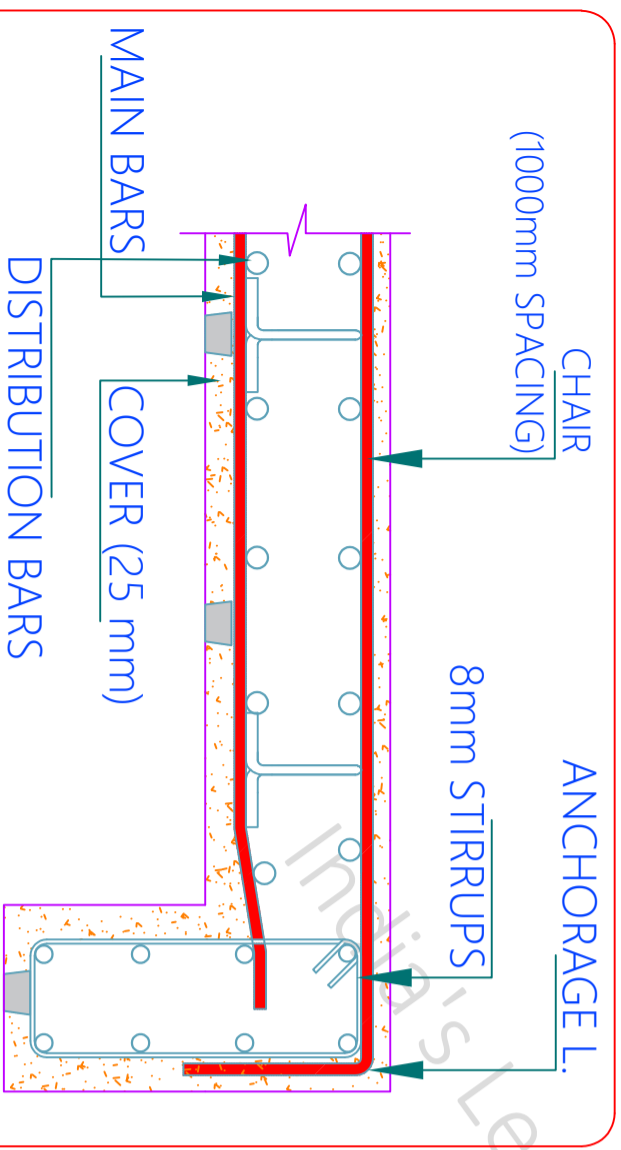
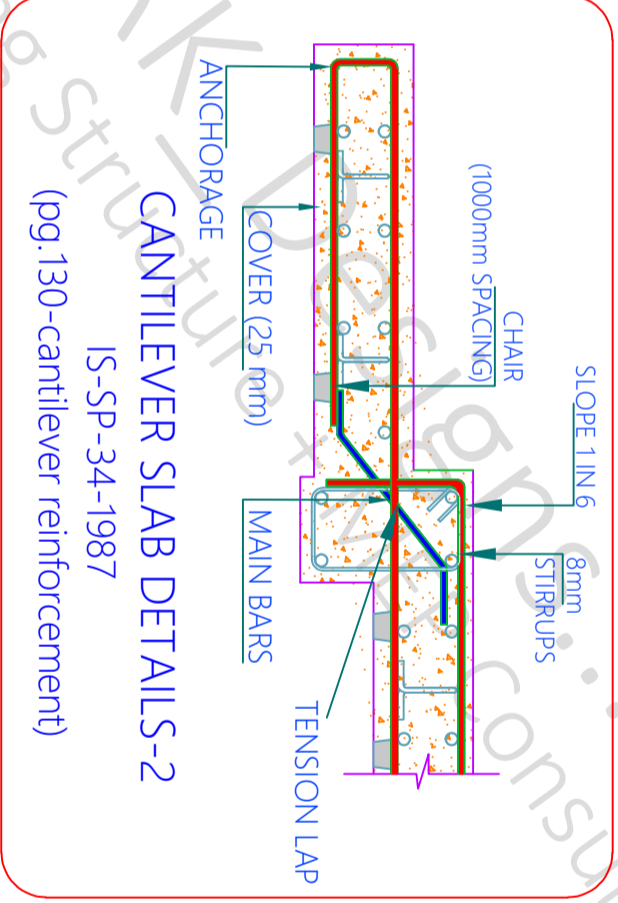
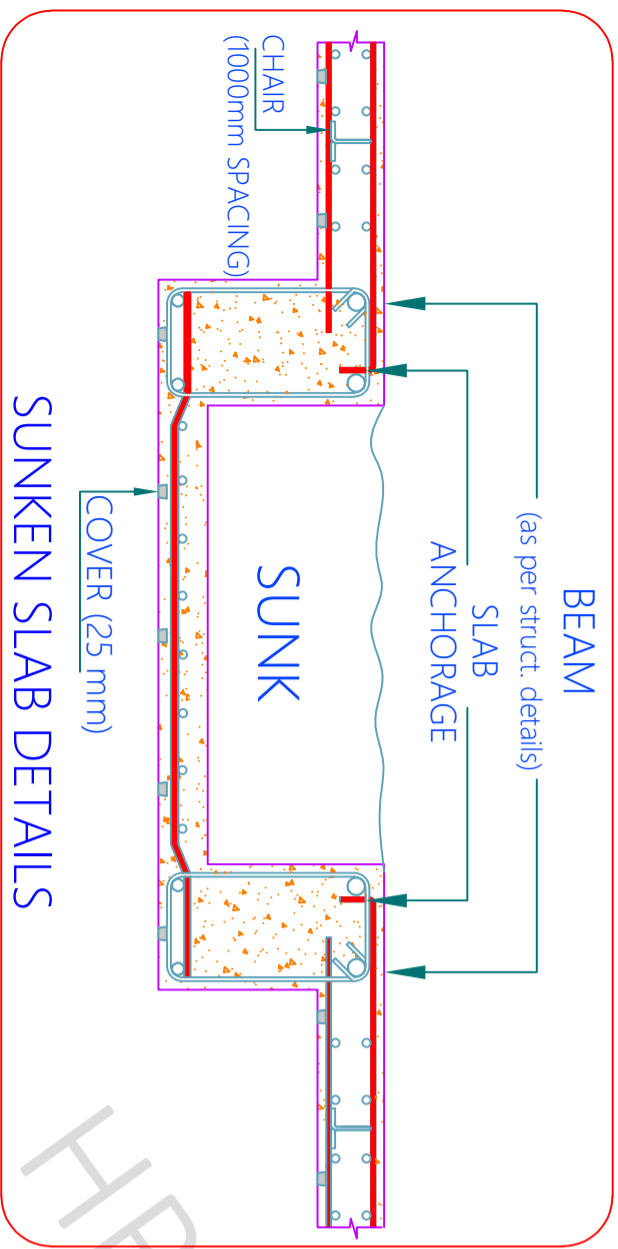
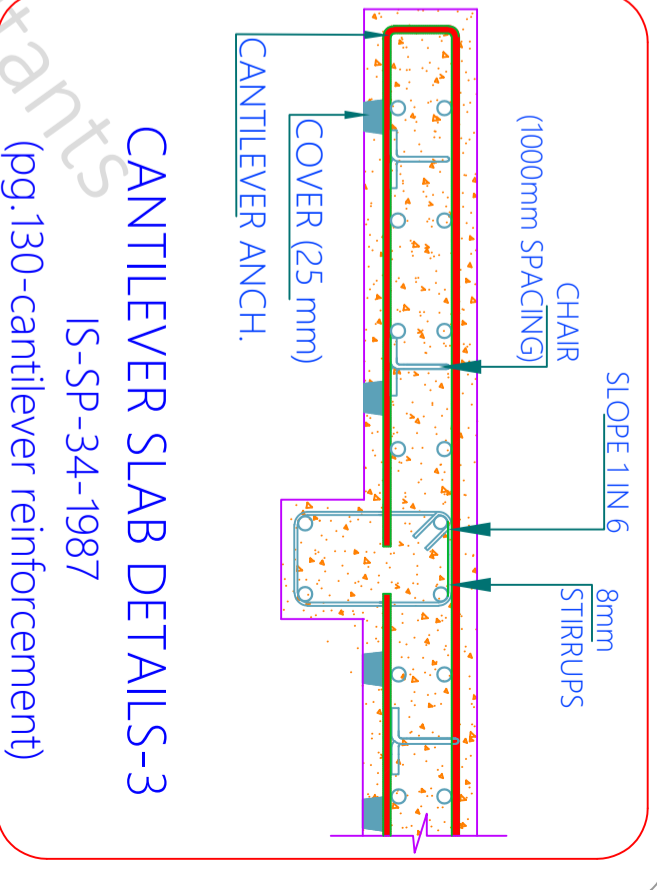
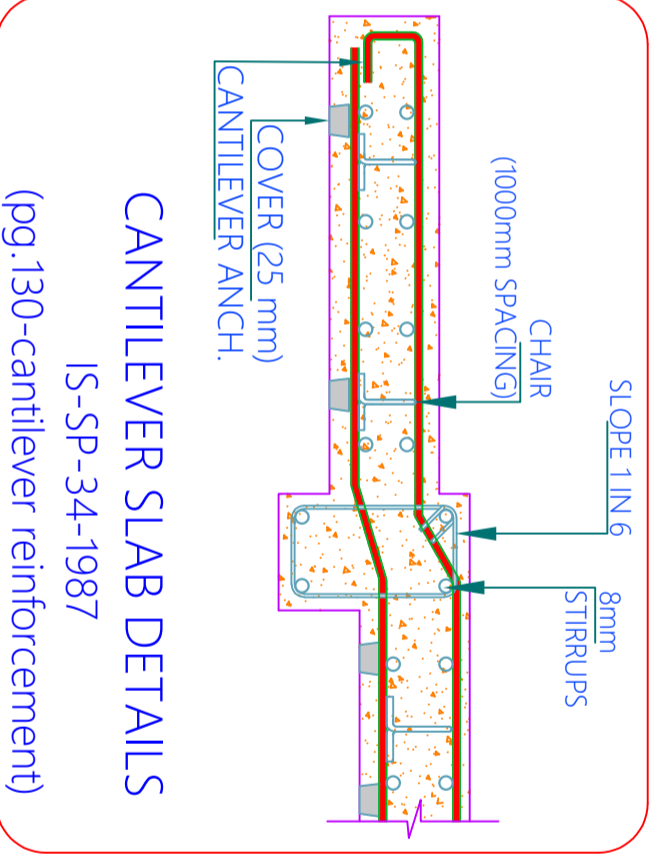
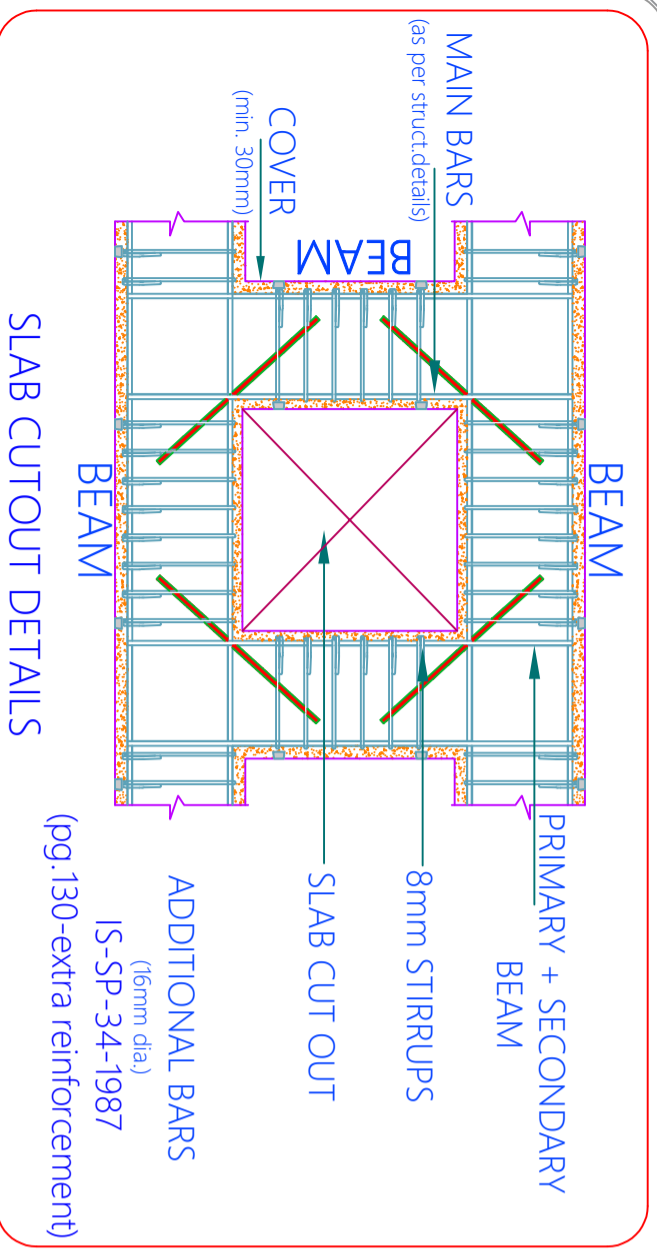
**GENERAL NOTES**

- 1 - CONTRACTOR/EXECUTION TEAM CHECK DIMENSIONS & VERIFY BEFORE THE EXECUTION OF WORK.
- 2 - FIGURES & DIMENSIONS TO BE FOLLOWED.
- 3 - ALL DIMENSIONS ARE FEET'S & INCH'S UNTIL & UNLESS SPECIFIED.
- 4 - ALL REINFORCEMENT FOR RCC SHALL BE TMT BARS OF GRADE Fe 300 & ABOVE ONLY AS SPECIFIED IN IS:1786.
- 5 - ALL RCC CONCRETE SHALL BE AS PER IS - 456.
- 6 - CLEAR COVER SHOULD BE AS PER FOLLOWING SPECIFIED
- (A) SLAB - 20mm (B) BEAMS TOP & BOTTOM- 30MM (C) BEAM SIDES - 25mm (D) - COLUMNS - 40mm (E) - FOOTINGS (Sides) - 50mm.
- 7 - WATER USED FOR CONCRETING SHALL MEET CL - 5.4 IS - 456.
- 8 - DEVELOPMENT LENGTH SHALL BE 48D (D - DIA OF BAR IN mm).

As per IS Code 456-2000  
Overlapping length should not be less than 75mm. Lapping should be avoided in tensile zone of construction members.  
Overlapping length of Reinf. Column 48d.  
Beam 50d  
Slab 50d

**CODES USED FOR DESIGNING**

- IS : 456 - INDIAN STANDARD CODE OF PRACTICE FOR PLAN & REINFORCED CONCRETE
- IS : 800-2007 - INDIAN STANDARD CODE OF PRACTICE FOR GENERAL CONSTRUCTION IN STEEL
- IS : 801-1975 - INDIAN STANDARD CODE OF PRACTICE FOR USE OF COLD FORMED LIGHT GAUGE STEEL STRUCTURAL MEMBERS IN GENERAL BUILDING CONSTRUCTION
- IS : 875-1987 - PART (I, 11, 111, & V) - INDIAN STANDARD CODE OF PRACTICE FOR DESIGN LOADS
- IS : 1893-2002 - INDIAN STANDARD CODE OF PRACTICE FOR EARTHQUAKE RESISTANCE DESIGN OF STRUCTURE



- GENERAL NOTES**
- 1 - CONTRACTOR/EXECUTION TEAM CHECK DIMENSIONS & VERIFY BEFORE THE EXECUTION OF WORK.
  - 2 - FIGURES & DIMENSIONS TO BE FOLLOWED.
  - 3 - ALL DIMENSIONS ARE FEET'S & INCH'S UNTIL & UNLESS SPECIFIED.
  - 4 - ALL REINFORCEMENT FOR RCC SHALL BE TMT BARS OF GRADE Fe 300 & ABOVE ONLY AS SPECIFIED IN IS:1786.
  - 5 - ALL RCC CONCRETE SHALL BE AS PER IS - 456.
  - 6 - CLEAR COVER SHOULD BE AS PER FOLLOWING SPECIFIED  
(A) SLAB - 20mm (B) BEAMS TOP & BOTTOM- 30MM (C) BEAM SIDES - 25mm (D) - COLUMNS - 40mm (E) - FOOTINGS (Sides) - 50mm.
  - 7 - WATER USED FOR CONCRETING SHALL MEET CL - 5.4 IS - 456.
  - 8 - DEVELOPMENT LENGTH SHALL BE 48D (D - DIA OF BAR IN mm).

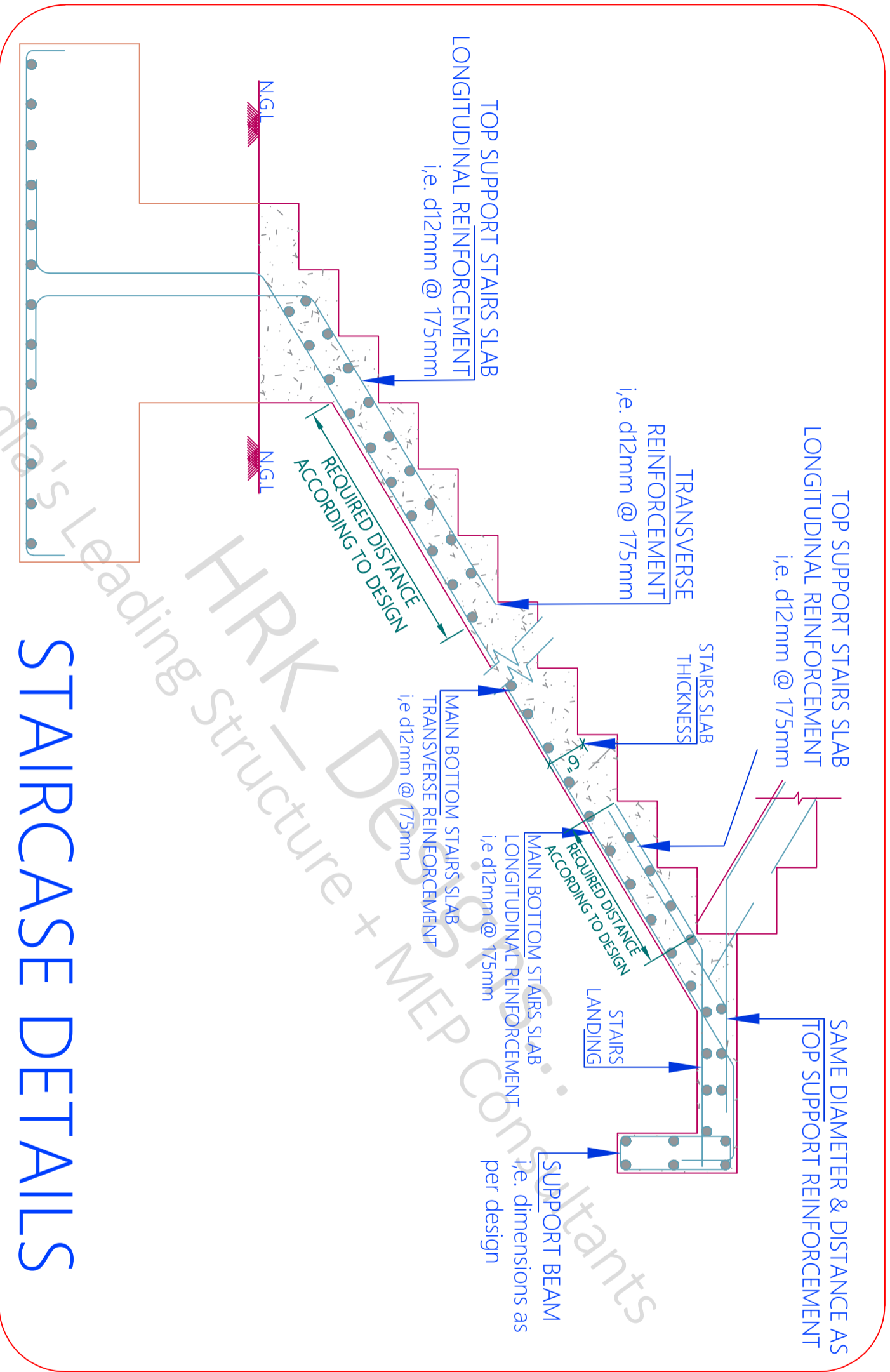
- CODES USED FOR DESIGNING**
- IS : 456 - INDIAN STANDARD CODE OF PRACTICE FOR PLAN & REINFORCED CONCRETE
  - IS : 800-2007 - INDIAN STANDARD CODE OF PRACTICE FOR GENERAL CONSTRUCTION IN STEEL
  - IS : 801-1975 - INDIAN STANDARD CODE OF PRACTICE FOR USE OF COLD FORMED LIGHT GAUGE STEEL STRUCTURAL MEMBERS IN GENERAL BUILDING CONSTRUCTION
  - IS : 875-1987 - PART (I, 11, 111, & V) - INDIAN STANDARD CODE OF PRACTICE FOR DESIGN LOADS
  - IS : 1893-2002 - INDIAN STANDARD CODE OF PRACTICE FOR EARTHQUAKE RESISTANCE DESIGN OF STRUCTURE

SHEET - H GENERAL FIGURES		NURSING CLG	
SHEET TITLE GOOD FOR CONSTRUCTION		PROJECT BY:-	
Drw No LIST OF CONTENT		KD Architect Studio	
Drw - 1 Reinforcement Details As Per IS 456		Ar. Lakshay Drail Ji	
Drw - 2 General Figure's & Specification		Bahadur Garh/Munnda Delhi NCR	
Drw - 3		110041 INDIA	

APPROVAL	
TENDER	
G.F.C	
DOCUMENT	

CHK	DRW
AKA	PH
HRKD/STR/13/02/23	
HRKD/STR/GFC/13/02/23	

EDGE BEAM - SLAB DETAILS



# STAIRCASE DETAILS

HRK - Design Structure + MEP Consultants  
 India's Leading Structure + MEP Consultants

### GENERAL NOTES

- 1 - CONTRACTOR/EXECUTION TEAM CHECK DIMENSIONS & VERIFY BEFORE THE EXECUTION OF WORK.
- 2 - FIGURES & DIMENSIONS TO BE FOLLOWED.
- 3 - ALL DIMENSIONS ARE FEET'S & INCH'S UNTIL & UNLESS SPECIFIED.
- 4 - ALL REINFORCEMENT FOR RCC SHALL BE TMT BARS OF GRADE Fe 300 & ABOVE ONLY AS SPECIFIED IN IS:1786.
- 5 - ALL RCC CONCRETE SHALL BE AS PER IS - 456.
- 6 - CLEAR COVER SHOULD BE AS PER FOLLOWING SPECIFIED  
 (A) SLAB - 20mm (B) BEAMS TOP & BOTTOM- 30MM (C) BEAM SIDES - 25mm (D) - COLUMNS - 40mm (E) - FOOTINGS (Sides) - 50mm.
- 7 - WATER USED FOR CONCRETING SHALL MEET CL - 5.4 IS - 456.
- 8 - DEVELOPMENT LENGTH SHALL BE 48D (D - DIA OF BAR IN mm).

### CODES USED FOR DESIGNING

- IS : 456 - INDIAN STANDARD CODE OF PRACTICE FOR PLAN & REINFORCED CONCRETE
- IS : 800-2007 - INDIAN STANDARD CODE OF PRACTICE FOR GENERAL CONSTRUCTION IN STEEL
- IS : 801-1975 - INDIAN STANDARD CODE OF PRACTICE FOR USE OF COLD FORMED LIGHT GAUGE STEEL STRUCTURAL MEMBERS IN GENERAL BUILDING CONSTRUCTION
- IS : 875-1987 - PART (I, 11, 111, & V) - INDIAN STANDARD CODE OF PRACTICE FOR DESIGN LOADS
- IS : 1893-2002 - INDIAN STANDARD CODE OF PRACTICE FOR EARTHQUAKE RESISTANCE DESIGN OF STRUCTURE

APPROVAL	
TENDER	
G.F.C	
DOCUMENT	X

SHEET - I GENERAL FIGURES

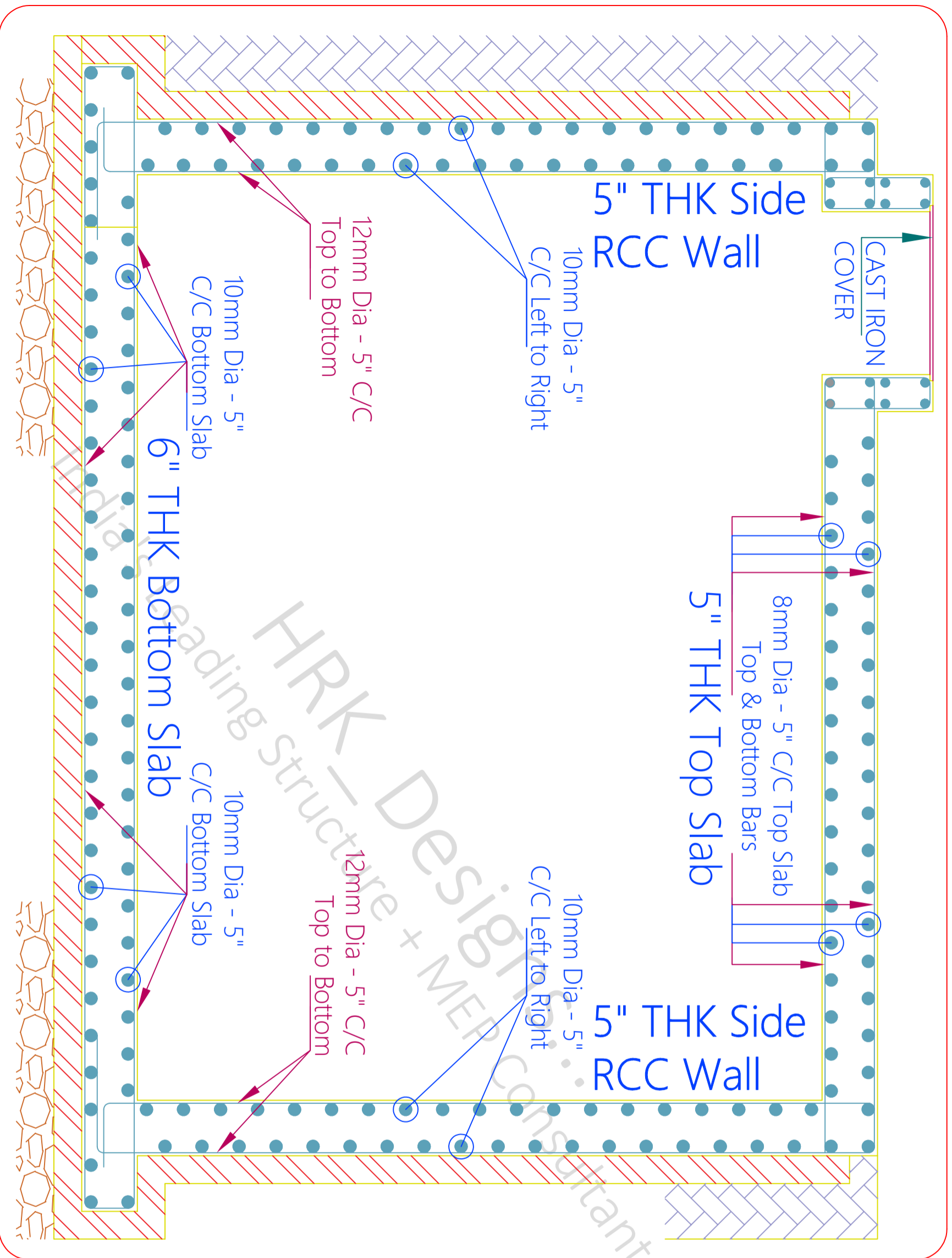
NURSING CLG

SCALE - NTS

R-0

SHEET TITLE	GOOD FOR CONSTRUCTION	PROJECT BY :-	KD Architect Studio
Drw No	LIST OF CONTENT	Ar. Lakshey Drail Ji	
Drw - 1	Reinforcement Details As Per IS 456	Bahadur Garh/Mundka Delhi NCR	
Drw - 2	General Figure's & Specification	110041 INDIA	
Drw - 3			

CHK	DRW	HRK_Designs Structure Consultants
AKA	PH	India's Leading
HRKD/STR/13/02/23		Structure + MEP Consultants
HRKD/STR/GFC/13/02/23		Varna Bayal Road TP2 Cdrti
		Sevali Vardola - 390011
		www.hrkdsgns.in
		namaste@hrkdsgns.in
		+91-9380 930 347



Web reinforcement shall consist of vertical hoops:

A vertical hoop is a closed stirrup having a 135° hook with a 10 diameter extension ( but not < 75 mm ) at each end that is embedded in the confined core

- FRAMED MEMBERS:**
- General requirements- IS13920:1993
1. The factored axial stress on the member under earthquake loading shall not exceed 0.1 fck.
  2. The member shall preferably have a width-to-depth ratio of more than 0.3.
  3. The width of the member shall not be less than 200 mm.
  4. The depth D of the member shall preferably be not more than 1/4 of the clear span.

**GENERAL NOTES**

- 1 - CONTRACTOR/EXECUTION TEAM CHECK DIMENSIONS & VERIFY BEFORE THE EXECUTION OF WORK.
- 2 - FIGURES & DIMENSIONS TO BE FOLLOWED.
- 3 - ALL DIMENSIONS ARE FEET'S & INCH'S UNTIL & UNLESS SPECIFIED.
- 4 - ALL REINFORCEMENT FOR RCC SHALL BE TMT BARS OF GRADE Fe 300 & ABOVE ONLY AS SPECIFIED IN IS:1786.
- 5 - ALL RCC CONCRETE SHALL BE AS PER IS - 456.
- 6 - CLEAR COVER SHOULD BE AS PER FOLLOWING SPECIFIED  
(A) SLAB - 20mm (B) BEAMS TOP & BOTTOM- 30MM (C) BEAM SIDES - 25mm (D) - COLUMNS - 40mm (E) - FOOTINGS (Sides) - 50mm.
- 7 - WATER USED FOR CONCRETING SHALL MEET CL - 5.4 IS - 456.
- 8 - DEVELOPMENT LENGTH SHALL BE 48D (D - DIA OF BAR IN mm).

**CODES USED FOR DESIGNING**

- IS : 456 - INDIAN STANDARD CODE OF PRACTICE FOR PLAN & REINFORCED CONCRETE
- IS : 800-2007 - INDIAN STANDARD CODE OF PRACTICE FOR GENERAL CONSTRUCTION IN STEEL
- IS : 801-1975 - INDIAN STANDARD CODE OF PRACTICE FOR USE OF COLD FORMED LIGHT GAUGE STEEL STRUCTURAL MEMBERS IN GENERAL BUILDING CONSTRUCTION
- IS : 875-1987 - PART (1, 11, 111, & V) - INDIAN STANDARD CODE OF PRACTICE FOR DESIGN LOADS
- IS : 1893-2002 - INDIAN STANDARD CODE OF PRACTICE FOR EARTHQUAKE RESISTANCE DESIGN OF STRUCTURE

APPROVAL	
TENDER	
G.F.C	
DOCUMENT	

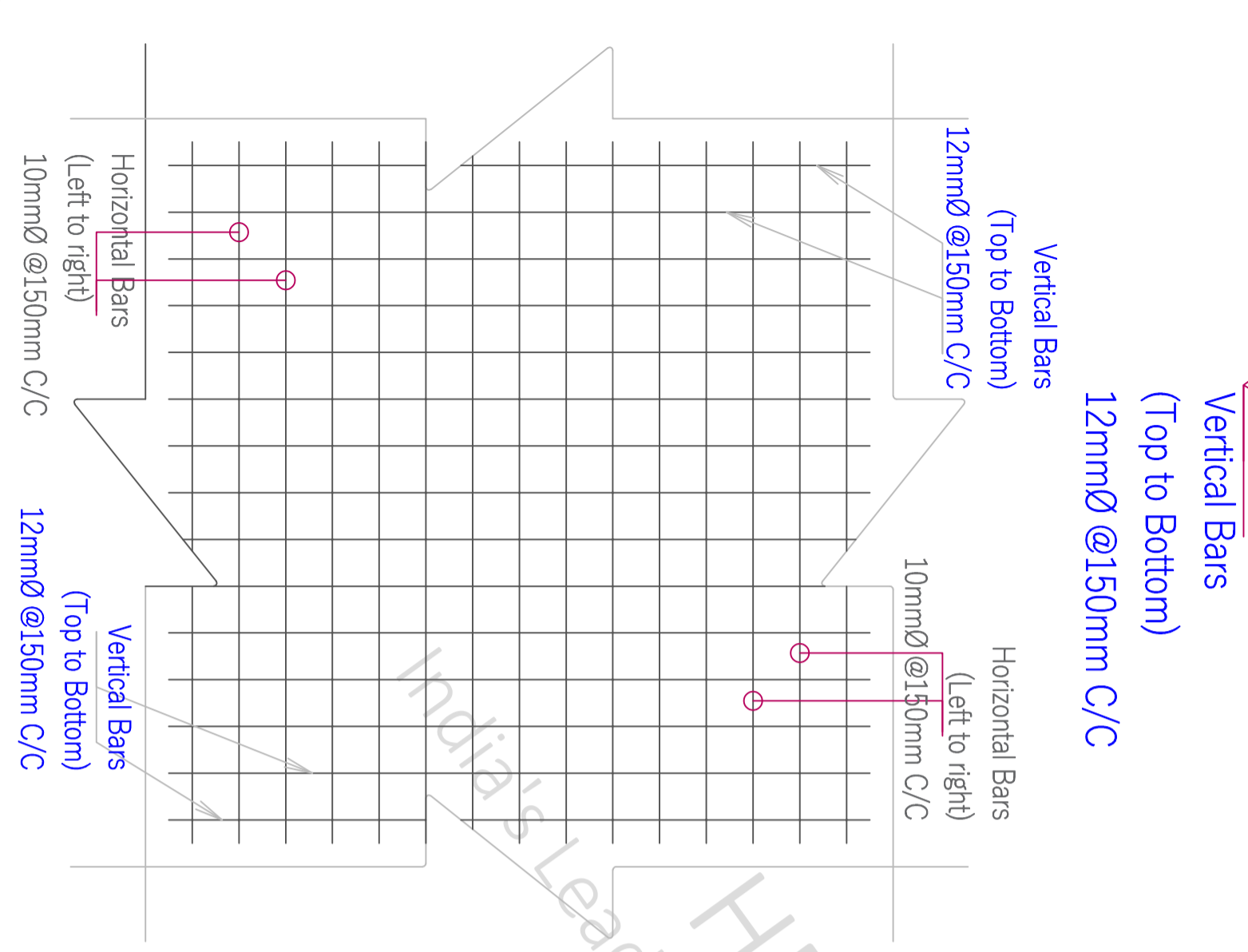
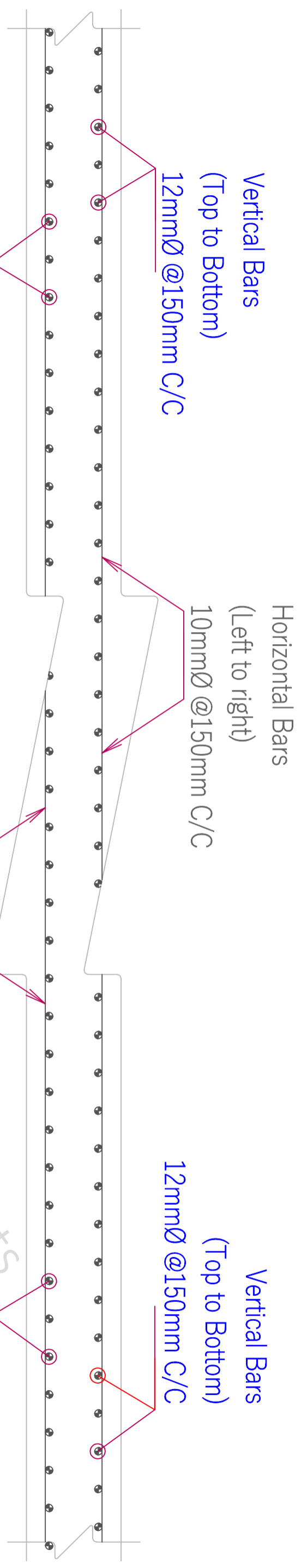
SHEET - J GENERAL FIGURES

USE INSURANCE

SCALE - NTS R-0

SHEET TITLE	GOOD FOR CONSTRUCTION	PROJECT BY:-	KD Architect Studio
Drw No	LIST OF CONTENT	Ar. Lakashay Drall Ji	Bahadurgarh/Mundka Delhi NCR 110041 INDIA
Drw - 1	Reinforcement Details As Per IS 456		
Drw - 2	General Figure's & Specification		
Drw - 3			

CHK	DRW	HRK_Designs Structure Consultants
AKA	PH	India Pvt.LTD
HRKD/STR/13/02/23		Structure + MEP Consultants
HRKD/STR/GFC/13/02/23		Varna Bawal Road TPO Court
		Serwal Vardola - 390011
		www.hrkdsgns.in
		bananate@hrkdsgns.in
		+91-9380 930 347



# A WALL PLAN C/S DETAILS

Vertical Bars (Top to Bottom)  
12mmØ @150mm C/C

Horizontal Bars (Left to right)  
10mmØ @150mm C/C

### GENERAL NOTES

- 1 - CONTRACTOR/EXECUTION TEAM CHECK DIMENSIONS & VERIFY BEFORE THE EXECUTION OF WORK.
- 2 - FIGURES & DIMENSIONS TO BE FOLLOWED.
- 3 - ALL DIMENSIONS ARE FEET'S & INCH'S UNTIL & UNLESS SPECIFIED.
- 4 - ALL REINFORCEMENT FOR RCC SHALL BE TMT BARS OF GRADE Fe 300 & ABOVE ONLY AS SPECIFIED IN IS:1786.
- 5 - ALL RCC CONCRETE SHALL BE AS PER IS - 456.
- 6 - CLEAR COVER SHOULD BE AS PER FOLLOWING SPECIFIED
- (A) SLAB - 20mm (B) BEAMS TOP & BOTTOM- 30MM (C) BEAM SIDES - 25mm (D) - COLUMNS - 40mm (E) - FOOTINGS (Sides) - 50mm.
- 7 - WATER USED FOR CONCRETING SHALL MEET CL - 5.4 IS - 456.
- 8 - DEVELOPMENT LENGTH SHALL BE 48D (D - DIA OF BAR IN mm).

### CODES USED FOR DESIGNING

- IS : 456 - INDIAN STANDARD CODE OF PRACTICE FOR PLAN & REINFORCED CONCRETE
- IS : 800-2007 - INDIAN STANDARD CODE OF PRACTICE FOR GENERAL CONSTRUCTION IN STEEL
- IS : 801-1975 - INDIAN STANDARD CODE OF PRACTICE FOR USE OF COLD FORMED LIGHT GAUGE STEEL STRUCTURAL MEMBERS IN GENERAL BUILDING CONSTRUCTION
- IS : 875-1987 - PART (I, 11, 111, & V) - INDIAN STANDARD CODE OF PRACTICE FOR DESIGN LOADS
- IS : 1893-2002 - INDIAN STANDARD CODE OF PRACTICE FOR EARTHQUAKE RESISTANCE DESIGN OF STRUCTURE

### SHEET - K GENERAL FIGURES

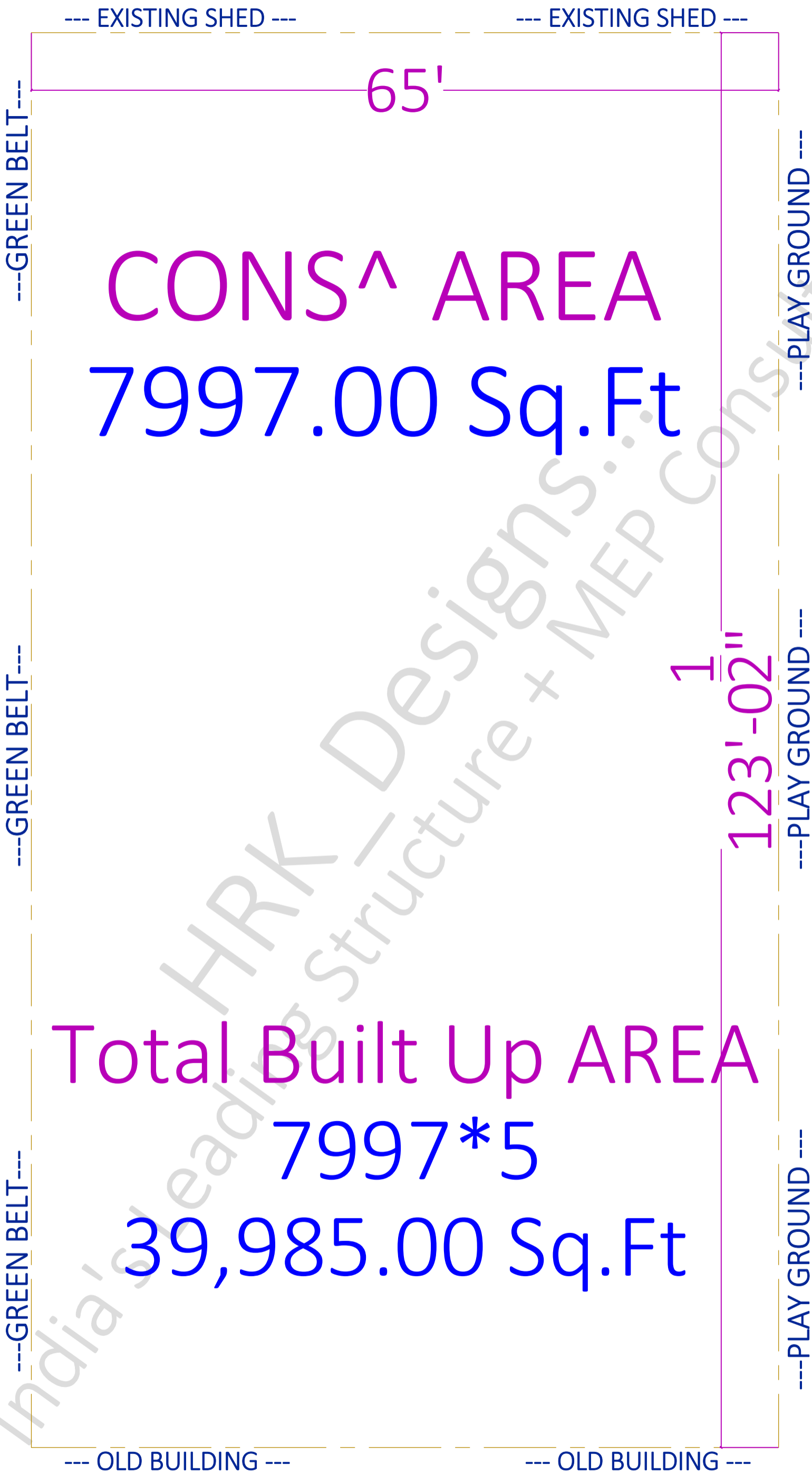
SHEET TITLE	GOOD FOR CONSTRUCTION	PROJECT BY :-	KD Architect Studio
Draw No	LIST OF CONTENT	Ar. Lakshey Drall Ji	Bahadur Garh/Mundka Delhi NCR 110041 INDIA
Draw - 1	Reinforcement Details As Per IS 456		
Draw - 2	Shear C/S Details		
Draw - 3			

APPROVAL	
TENDER	
G.F.C	
DOCUMENT	

### SCALE - NTS

R-0

CHK	DRW	HRK Designs Structure Consultants
AKA	PH	India Pvt.LTD
HRKD/STR/13/02/23		India's Leading
HRKD/STR/13/02/23		Structure + MEP Consultants
		Varna Bayal Road TPO Gdrti
		Sewali Vardodara - 390011
		www.hrkdsgns.in
		nanahate@hrkdsgns.in
		+91 9380 930 347



CONS^ AREA

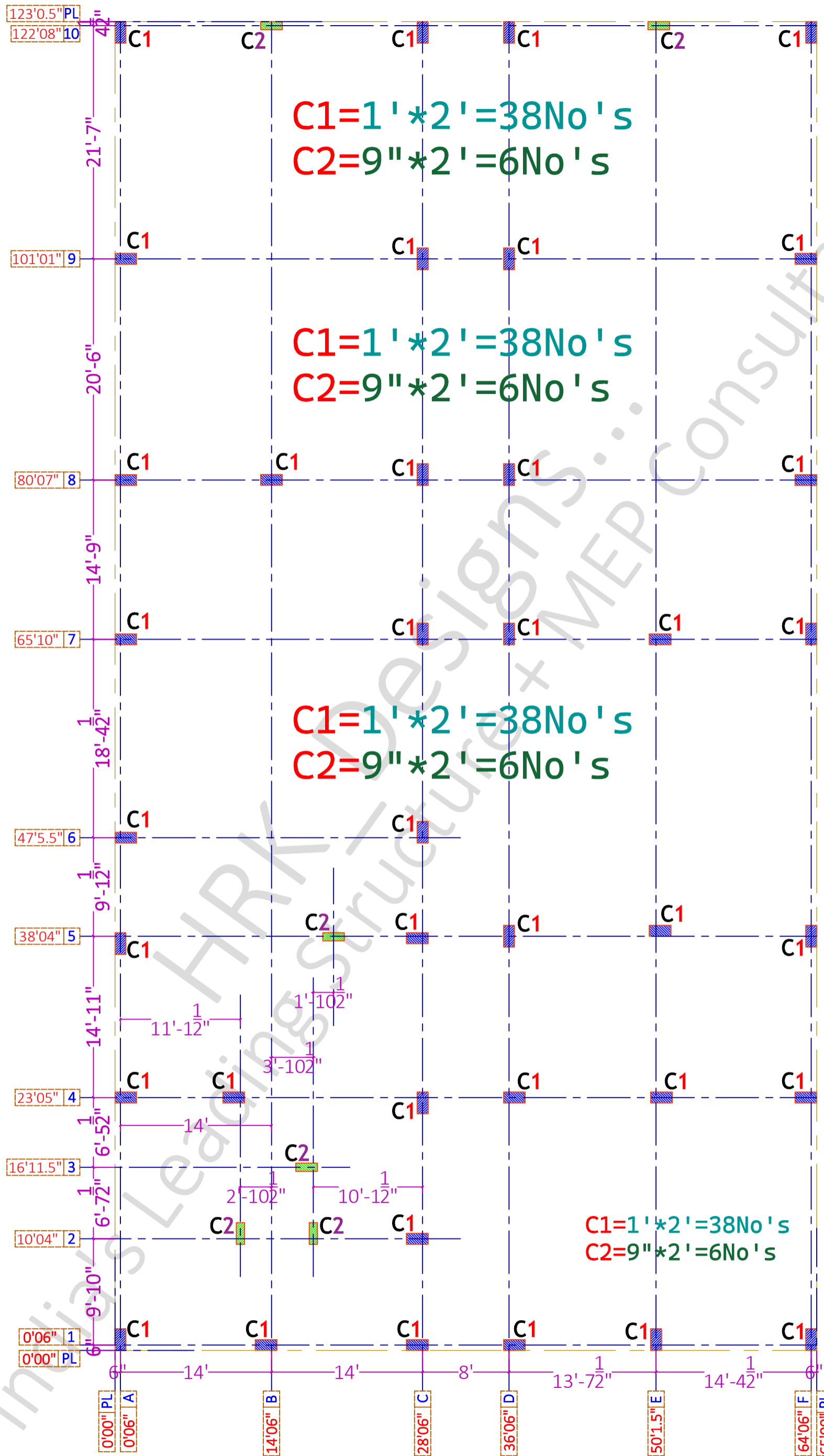
7997.00 Sq.Ft

Total Built Up AREA

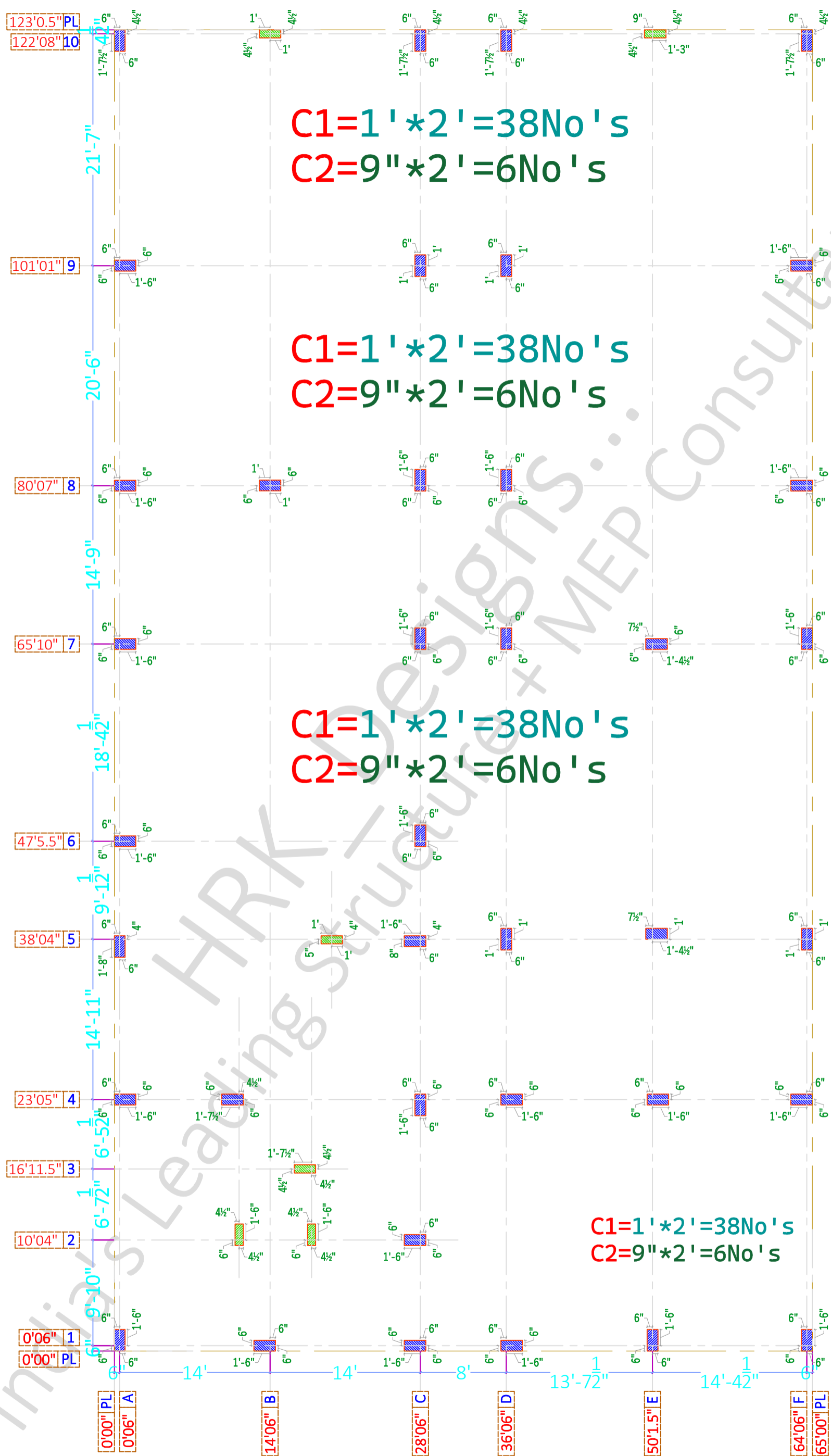
7997\*5

39,985.00 Sq.Ft

<b>SHEET TITLE</b>		<b>PROJECT BY:-</b>		<b>S-1</b>		<b>Plot line Details</b>			
S - 1	PLOT AREA	KD Architect Studio		GF + 4 Story building for		Date - 08/02/2023	PVH	AKA	A3 PRINTS
S - 2	COL's C/S & DETAILS	Ar. Lakshay Drall Ji		NURSING CLG		HRKD/STR/13/02/23	Str Engg.		HRKD/STR/GFC/13/02/23
S - 3		BahadurGarh/Mundka Delhi				Str Sign	Str Stamp		STR - REV - 3
S - 4		NCR 110041 INDIA				Principal Engineer	AKA		23/08/2024 ***NA***



<b>SHEET TITLE</b>		<b>PROJECT BY:-</b>		<b>S-2 Center line Details</b>	
S - 1	Col's Center line Plan	KD Architect Studio		Date - 08/02/2023	
S - 2	Col's Center line Details	Ar. Lakshay Drall Ji		PVH	AKA
S - 3	Col's Center line C/S & Details	BahadurGarh/Mundka Delhi		Str Engg.	
S - 4		NCR 110041 INDIA		A3 PRINTS	
		<b>NURSING CLG</b>		HRKD/STR/13/02/23	
		Gandhidham   Vadodara   Delhi   Mumbai		HRKD/STR/GFC/13/02/23	
		+91-9980 930 347		STR - REV - 3	
		HRK DESIGNS STRUCTURE CONSULTANTS INDIA PVT LTD		***NA***	
		Vasna Bayali Road TP2 Gotri Road Vadodara - 391014		Str Sign	
		www.hrkdesigns.in techteam@hrkdesigns.in		AKA	
		Principal Engineer		Str Stamp	



C1=1' \* 2' = 38 No's  
C2=9" \* 2' = 6 No's

C1=1' \* 2' = 38 No's  
C2=9" \* 2' = 6 No's

C1=1' \* 2' = 38 No's  
C2=9" \* 2' = 6 No's

C1=1' \* 2' = 38 No's  
C2=9" \* 2' = 6 No's

**SHEET TITLE**

S - 1	Col's Center line Plan
S - 2	Col's Center line Details
S - 3	Col's Center line C/S & Details
S - 4	

**PROJECT BY:-**

KD Architect Studio  
Ar. Lakshay Drall Ji  
BahadurGarh/Mundka Delhi  
NCR 110041 INDIA

GF + 4 Story  
building for

**NURSING CLG**

+91-9980 930 347

HRK DESIGNS STRUCTURE  
CONSULTANTS INDIA PVT LTD

Vasna Bayali Road TP2  
Gotri Road Vadodara -  
391014

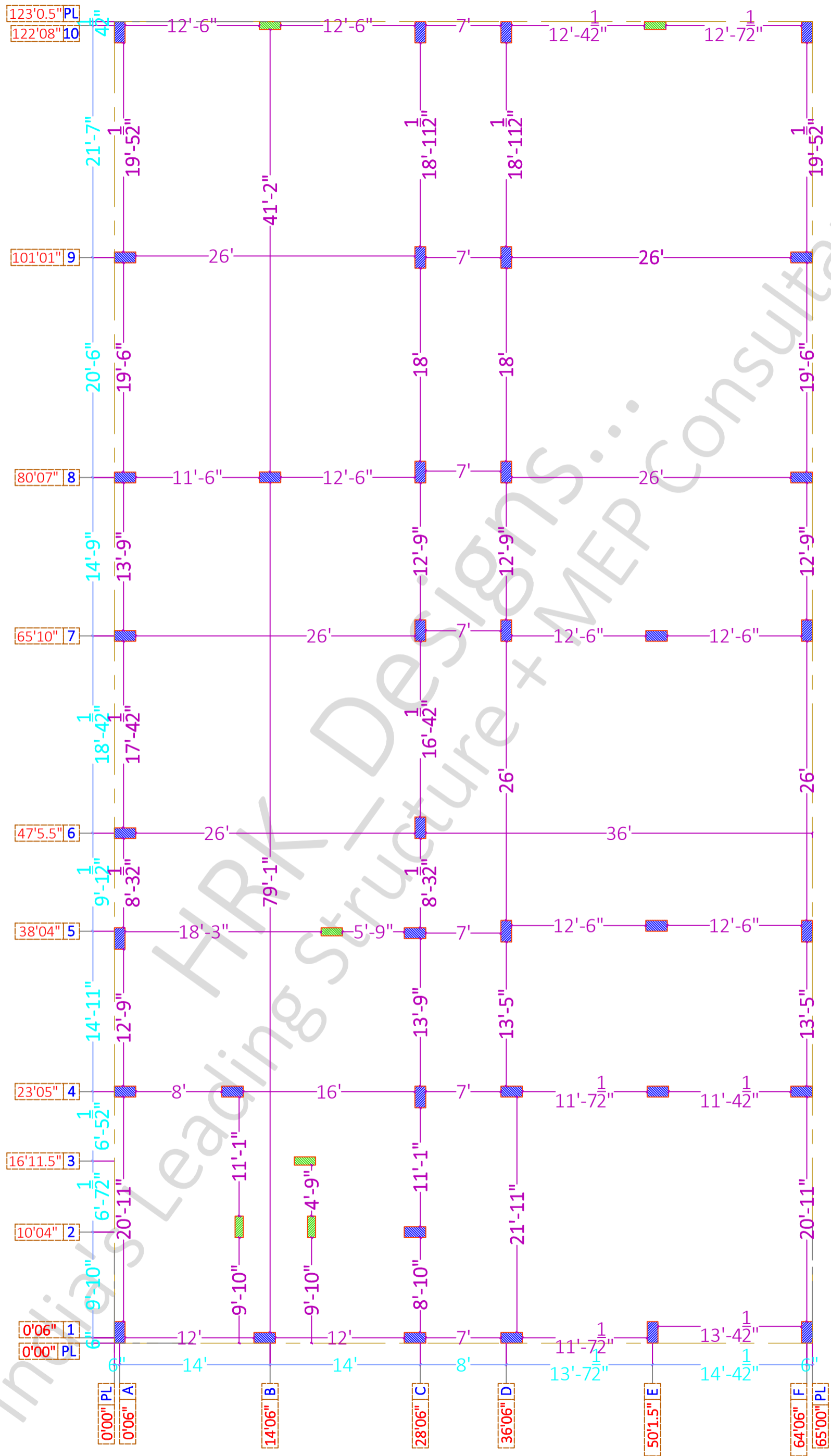
**HRK Designs**

www.hrkdsgns.in  
techteam@hrkdsgns.in

Gandhidham | Vadodara | Delhi | Mumbai

**S-3 Center line Details**

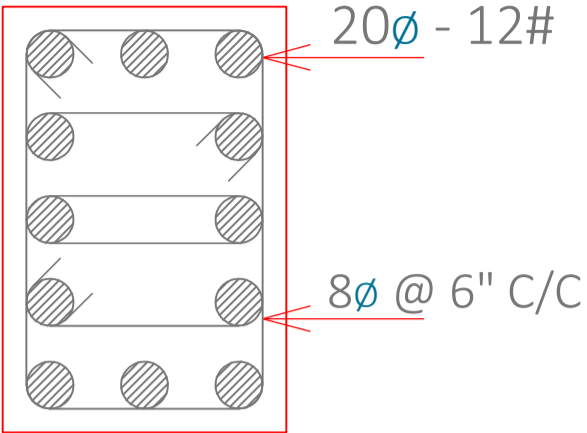
Date - 08/02/2023	PVH	AKA	<b>A3 PRINTS</b>
HRKD/STR/13/02/23	Str Engg.		HRKD/STR/GFC/13/02/23
Str Sign			STR - REV - 3
Principal Engineer	AKA	Str Stamp	23/08/2024 ***NA***



<b>SHEET TITLE</b>		<b>PROJECT BY:-</b>		<b>GF + 4 Story building for</b>		<b>S-4 Center line Details</b>			
S - 1	Col's Center line Plan	KD Architect Studio		NURSING CLG		Date - 08/02/2023	PVH	AKA	A3 PRINTS
S - 2	Col's Center line Details	Ar. Lakshay Drall Ji		BahadurGarh/Mundka Delhi		HRKD/STR/13/02/23	Str Engg.		HRKD/STR/GFC/13/02/23
S - 3	Col's Center line C/S & Details	NCR 110041 INDIA		Gandhidham   Vadodara   Delhi   Mumbai		Str Sign	Str Stamp		STR - REV - 3
S - 4						AKA			23/08/2024 ***NA***

## Col's Details upto GF & FF Slab LVL only

**C1 - 1'00" x 2'00"**

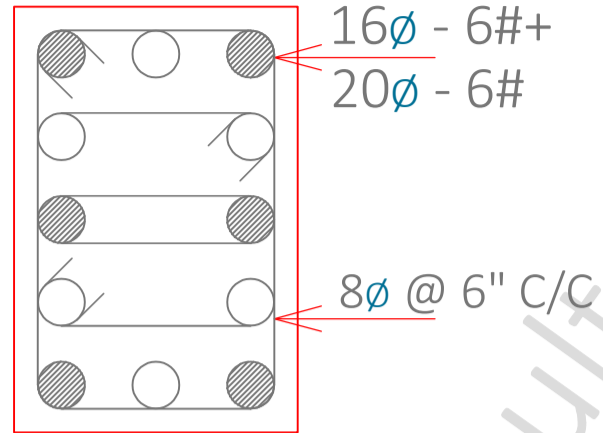


C1 - 1'00" x 2'00" - 2.10%



3 Ring's (3 Rectangle)

**C2 - 0'09" x 2'00"**



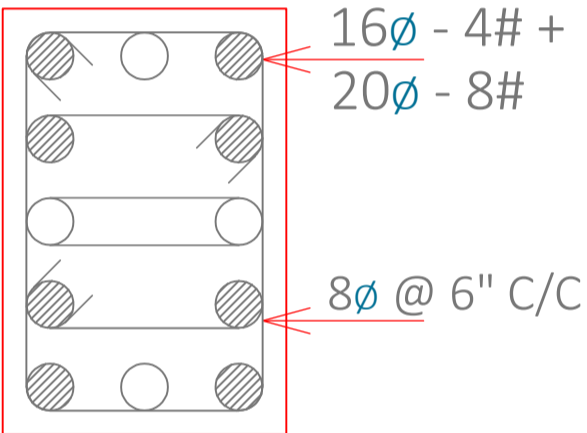
C2 - 0'09" x 2'00" - 2.25%



3 Ring's (3 Rectangle)

## Col's Details upto SF & 3rd Floor Slab LVL only

**C1 - 1'00" x 2'00"**

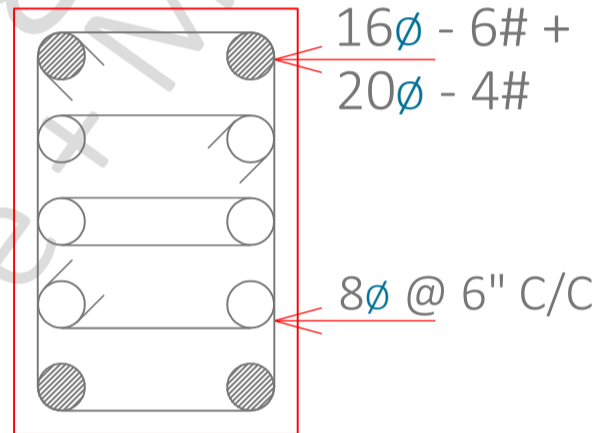


C1 - 1'00" x 2'00" - 1.85%



3 Ring's (3 Rectangle)

**C2 - 0'09" x 2'00"**



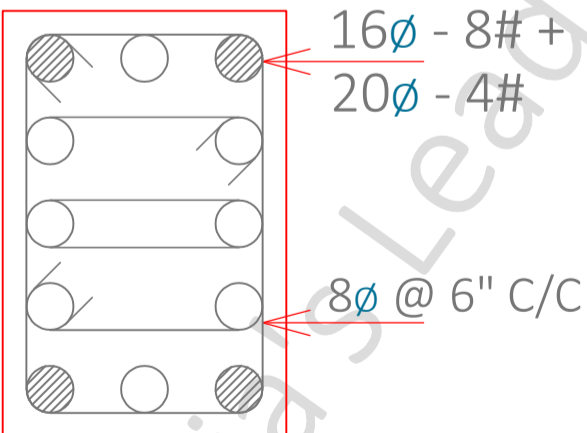
C2 - 0'09" x 2'00" - 1.95%



3 Ring's (3 Rectangle)

## Col's Details upto 4th & 5th Floor Slab LVL only

**C1 - 1'00" x 2'00"**

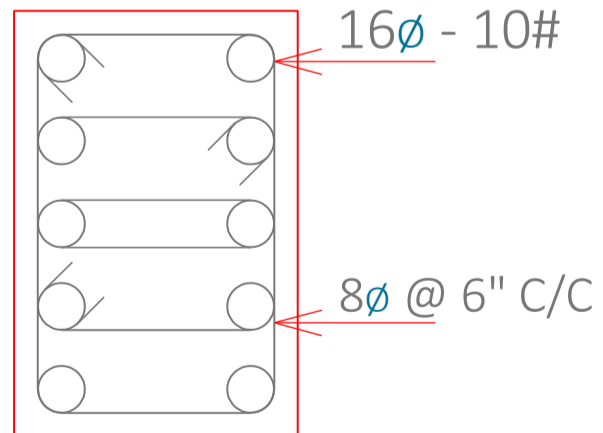


C1 - 1'00" x 2'00" - 1.50%



3 Ring's (3 Rectangle)

**C2 - 0'09" x 2'00"**



C2 - 0'09" x 2'00" - 1.45%



3 Ring's (3 Rectangle)

**SHEET TITLE**

S - 1	Col's C/S Details
S - 2	Ped's C/S Details
S - 3	
S - 4	

**PROJECT BY:-**

KD Architect Studio  
Ar. Lakshay Drall Ji  
BahadurGarh/Mundka Delhi  
NCR 110041 INDIA

GF + 4 Story  
building for

**NURSING CLG**

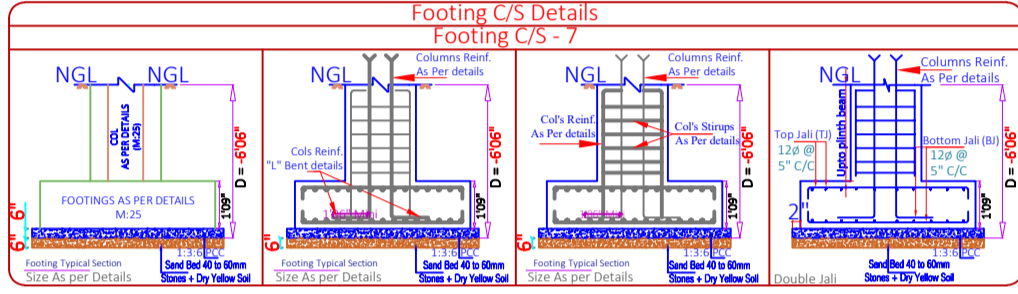
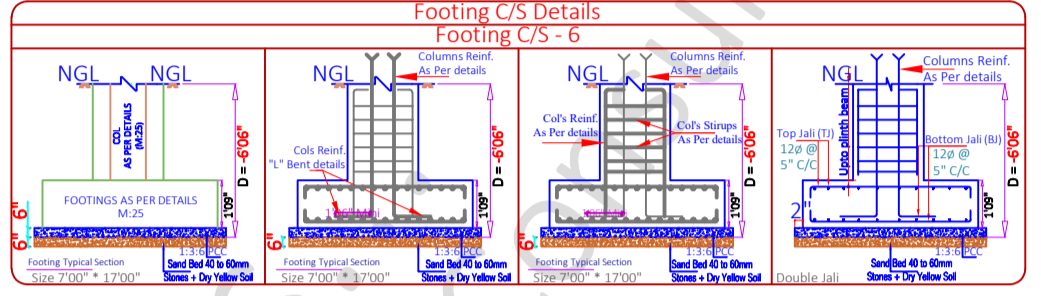
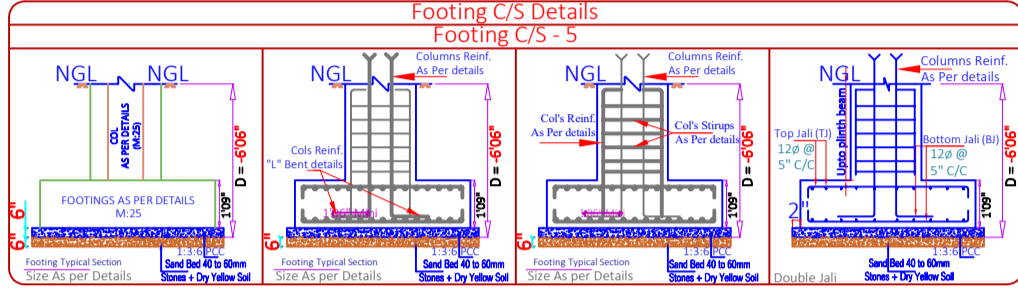
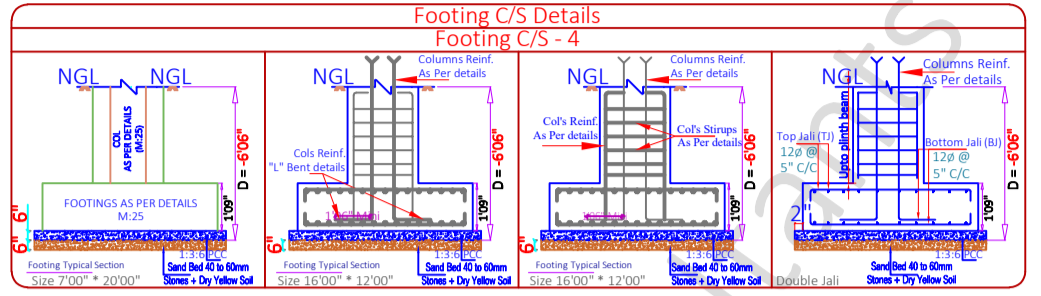
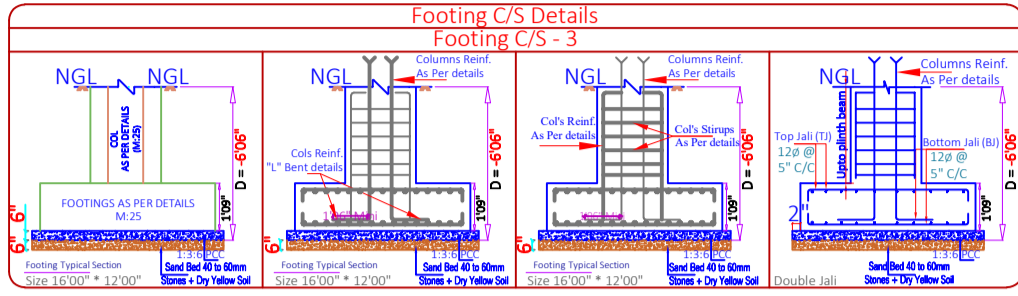
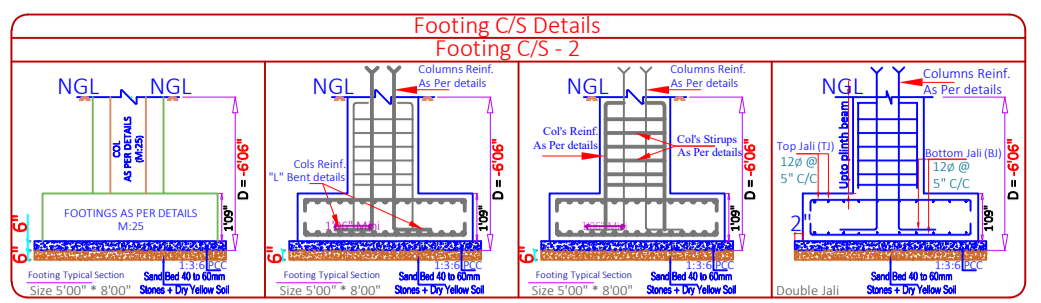
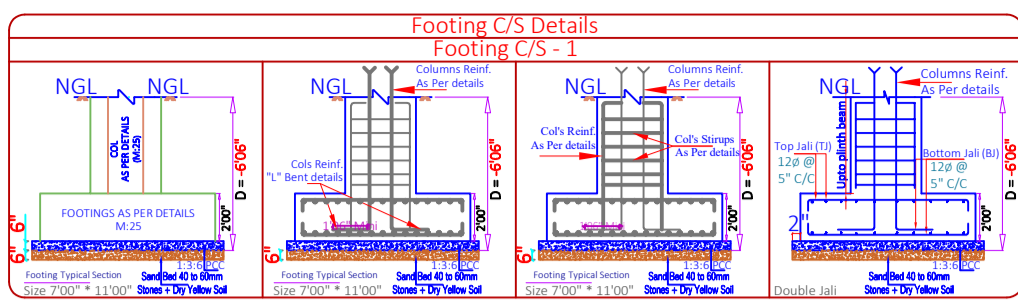
+91-9980 930 347

HRK DESIGNS STRUCTURE  
CONSULTANTS INDIA PVT LTD  
Vasna Bayali Road TP2  
Gotri Road Vadodara -  
391014  
www.hrkdsgns.in  
techteam@hrkdsgns.in

Gandhidham | Vadodara | Delhi | Mumbai

**S-5 Col's & Ped's C/S Details**

Date - 08/02/2023	PVH	AKA	<b>A3 PRINTS</b>
HRKD/STR/13/02/23	Str Engg.		HRKD/STR/GFC/13/02/23
Str Sign			STR - REV - 3
Principal Engineer	AKA	Str Stamp	23/08/2024 ***NA***



- F1=7'x11'=17No's
- F2=5'x8'=2No's
- F3=16'x12'=5No's
- F4=7'x20'=1No's
- F5=As per Details=1No's
- F6=7'x17'=1No's
- F7=As per Details=1No's

## FOOTING'S TABLE

Sr.No	Footing's Name	Footing's depth (d)	Overall depth (D)	Top Jali (Top Reinf <sup>^</sup> )	Bottom Jali (Bottom Reinf <sup>^</sup> )	Concrete (Grade)	Reinforcement (Grade)
1	F-1	2'00"	-6'06"	12Ø @ 5" C/C	12Ø @ 5" C/C	M:25 (1:1:2)	Fy:500
2	F-2	1'09"	-6'06"	12Ø @ 5" C/C	12Ø @ 5" C/C		
3	F-3	1'09"	-6'06"	12Ø @ 5" C/C	12Ø @ 5" C/C		
4	F-4	1'09"	-6'06"	12Ø @ 5" C/C	12Ø @ 5" C/C		
5	F-5	1'09"	-6'06"	12Ø @ 5" C/C	12Ø @ 5" C/C		
6	F-6	1'09"	-6'06"	12Ø @ 5" C/C	12Ø @ 5" C/C		
7	F-7	1'09"	-6'06"	12Ø @ 5" C/C	12Ø @ 5" C/C		

## COLUMN'S TABLE

Sr.No	Floor / Story	Col's Name	Col's Size	Num of Col's	Col's Reinf <sup>^</sup>	Concrete (Grade)	Reinforcement (Grade)
1	GF	C-1	1' * 2'	38	20Ø - 12#	M:25 (1:1:2)	Fy:500
2		C-2	9" * 2'	06	16Ø - 6# + 20Ø - 6#		
3	FF	C-1	1' * 2'	38	20Ø - 12#		
4		C-2	9" * 2'	06	16Ø - 6# + 20Ø - 6#		
5	SF	C-1	1' * 2'	38	16Ø - 4# + 20Ø - 8#	M:25 (1:1:2)	Fy:500
6		C-2	9" * 2'	06	16Ø - 6# + 20Ø - 4#		
7	3F	C-1	1' * 2'	38	16Ø - 4# + 20Ø - 8#		
8		C-2	9" * 2'	06	16Ø - 6# + 20Ø - 4#		
9	4F	C-1	1' * 2'	38	16Ø - 8# + 20Ø - 4#	M:25 (1:1:2)	Fy:500
10		C-2	9" * 2'	06	16Ø - 10#		
11	5F	C-1	1' * 2'	38	16Ø - 8# + 20Ø - 4#		
12		C-2	9" * 2'	06	16Ø - 10#		

### SHEET TITLE

S - 1	Footing's Details
S - 2	Footing's C/S Details
S - 3	Footing's Reinf <sup>^</sup> C/S Details
S - 4	

### PROJECT BY:-

KD Architect Studio  
Ar. Lakshay Drall Ji  
BahadurGarh/Mundka Delhi  
NCR 110041 INDIA

GF + 4 Story  
building for

**NURSING CLG**

+91-9980 930 347

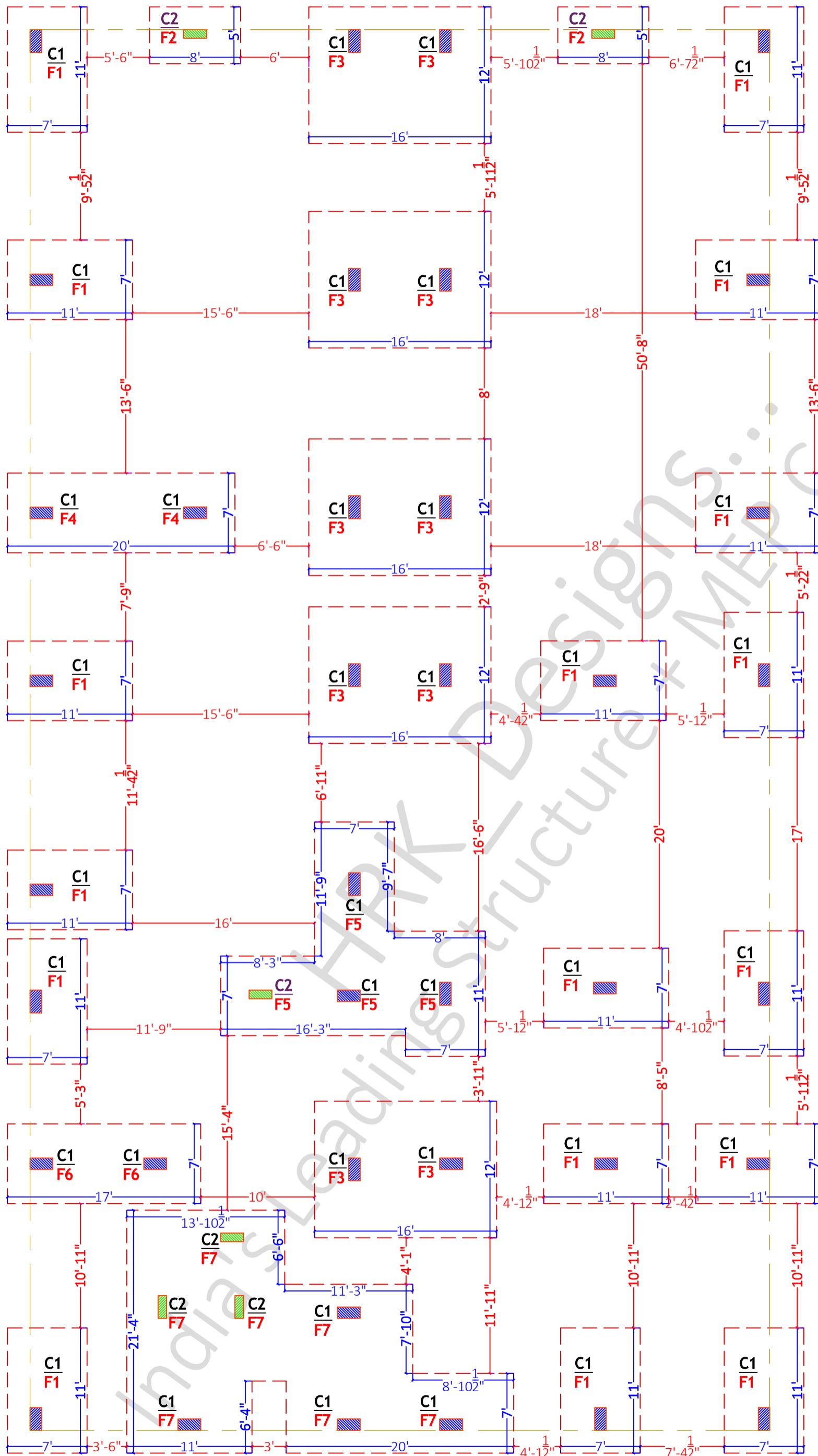
HRK DESIGNS STRUCTURE CONSULTANTS INDIA PVT LTD

Vasna Bayali Road TP2  
Gotri Road Vadodara -  
391014

www.hrkdsgns.in  
techteam@hrkdsgns.in

### S-6 Col's & Ped's C/S Details

Date - 08/02/2023	PVH	AKA	A3 PRINTS
HRKD/STR/13/02/23	Str Engg.		HRKD/STR/GFC/13/02/23
Str Sign		Str Stamp	STR - REV - 3
AKA			23/08/2024 ***NA***



F1=7'x11'=17No's  
 F2=5'x8'=2No's  
 F3=16'x12'=5No's  
 F4=7'x20'=1No's  
 F5=As per Details=1No's  
 F6=7'x17'=1No's  
 F7=As per Details=1No's

F1=7'x11'=17No's  
 F2=5'x8'=2No's  
 F3=16'x12'=5No's  
 F4=7'x20'=1No's  
 F5=As per Details=1No's  
 F6=7'x17'=1No's  
 F7=As per Details=1No's

**SHEET TITLE**

S - 1	Footing's Plan
S - 2	Footing's Details
S - 3	Footing's Layout
S - 4	

PROJECT BY:-  
**KD Architect Studio**  
 Ar. Lakshay Drall Ji  
 BahadurGarh/Mundka Delhi  
 NCR 110041 INDIA

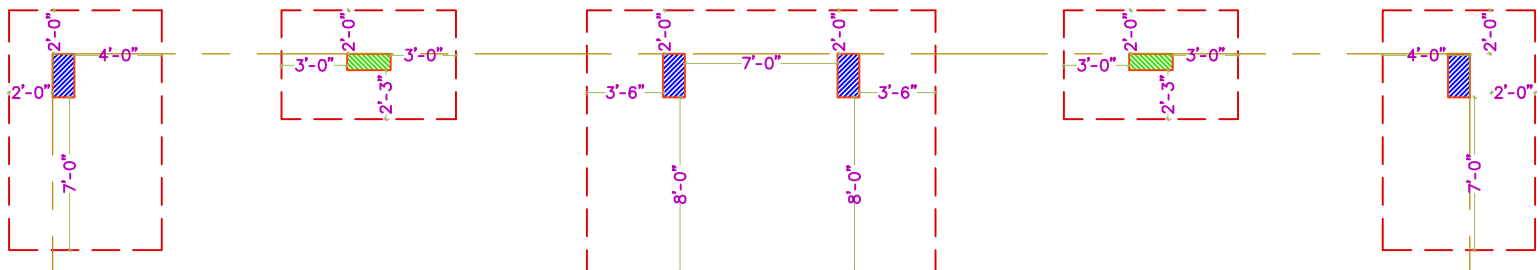
GF + 4 Story  
 building for  
**NURSING CLG**

HRK DESIGNS STRUCTURE  
 CONSULTANTS INDIA PVT LTD  
 Vasna Bayali Road TP2  
 Gotri Road Vadodara -  
 391014  
 www.hrkdesigns.in  
 techteam@hrkdesigns.in  
 HRK Designs  
 Gandhidham | Vadodara | Delhi | Mumbai

**S-7 Foot's Plan & Details**

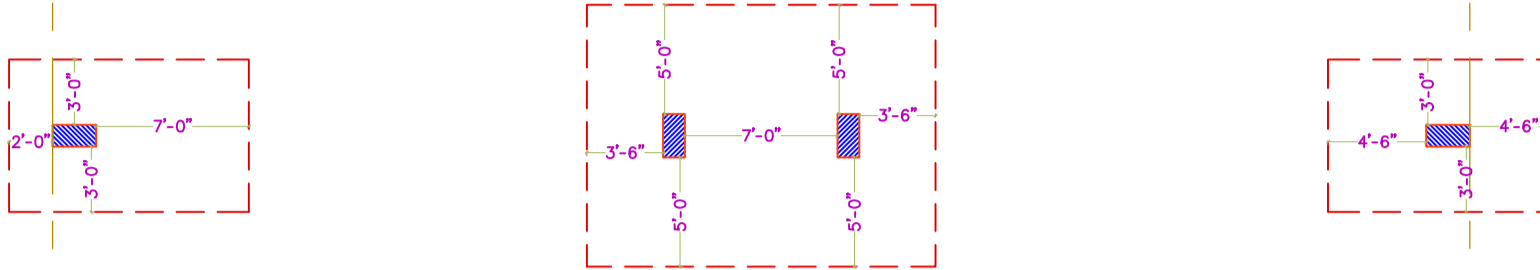
Date - 08/02/2023	PVH	AKA	<b>A3 PRINTS</b>
HRKD/STR/13/02/23	Str Engg.		HRKD/STR/GFC/13/02/23
Str Sign	AKA	Str Stamp	STR - REV - 3
Principal Engineer			23/08/2024 ***NA***

STRUCTURE WORKINGS DRAWINGS RIGHTS RESERVED BY HRK DESIGNS STRUCTURE CONSULTANTS INDIA PVT. LTD. & TEAM

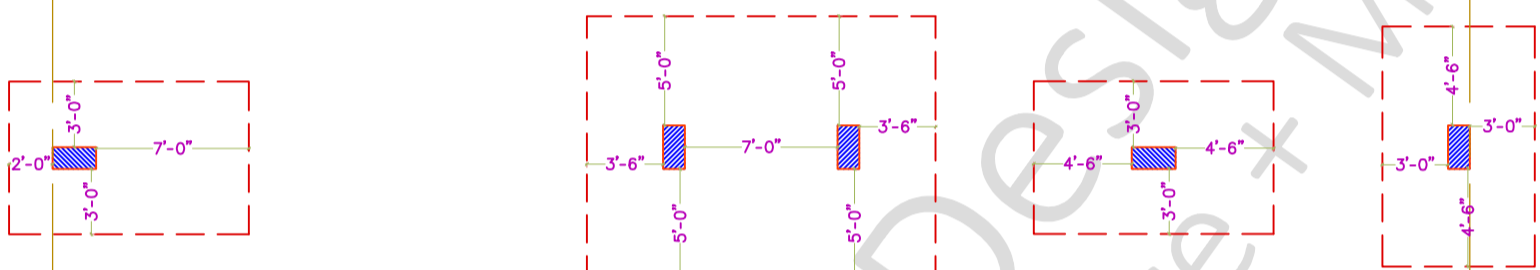
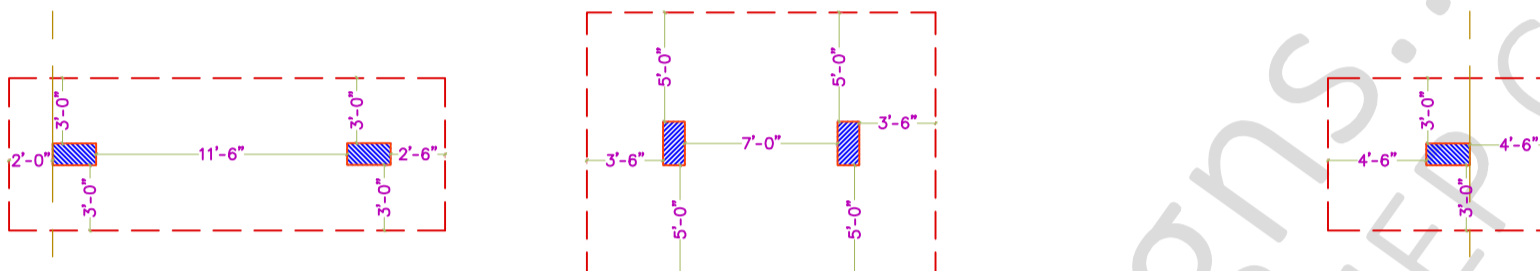


## Excavation Depth -6'06"

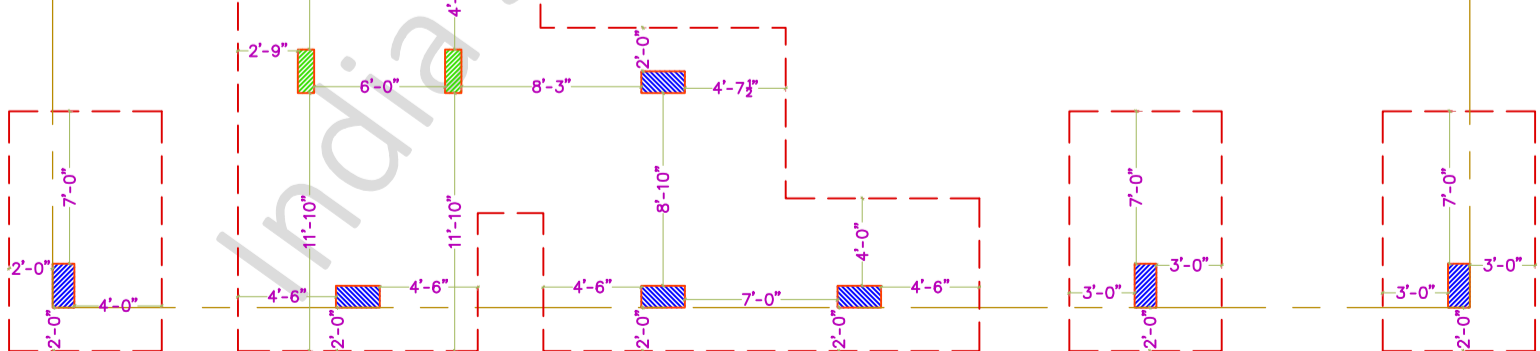
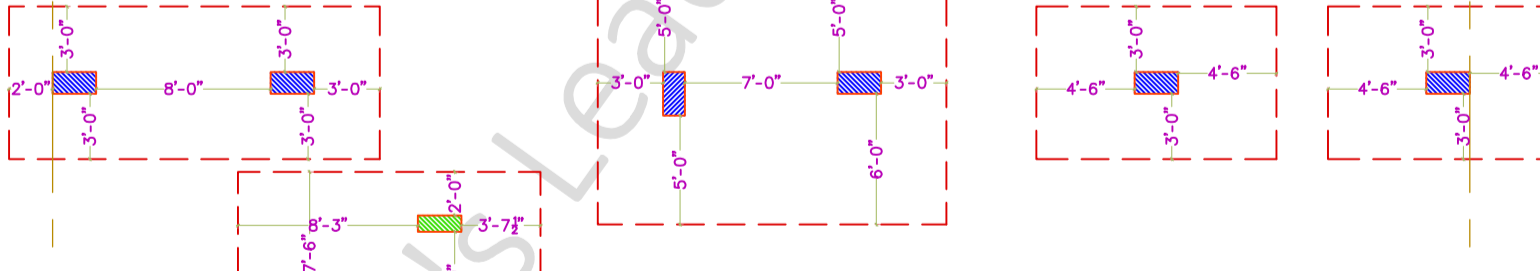
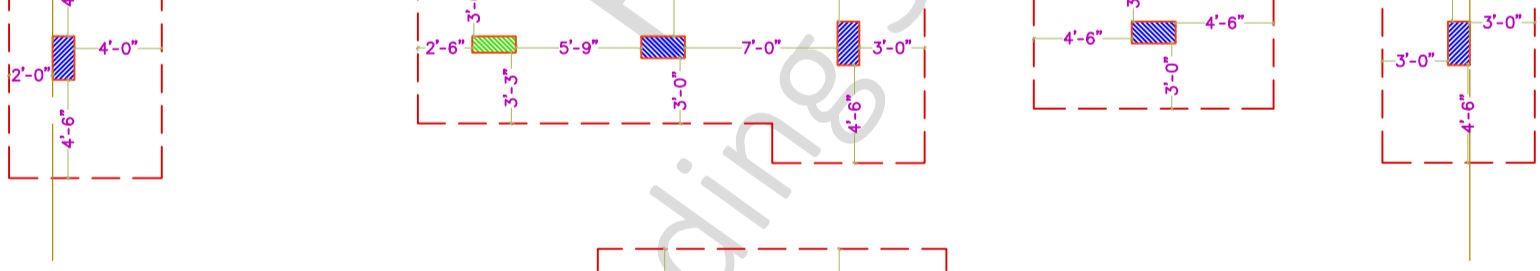
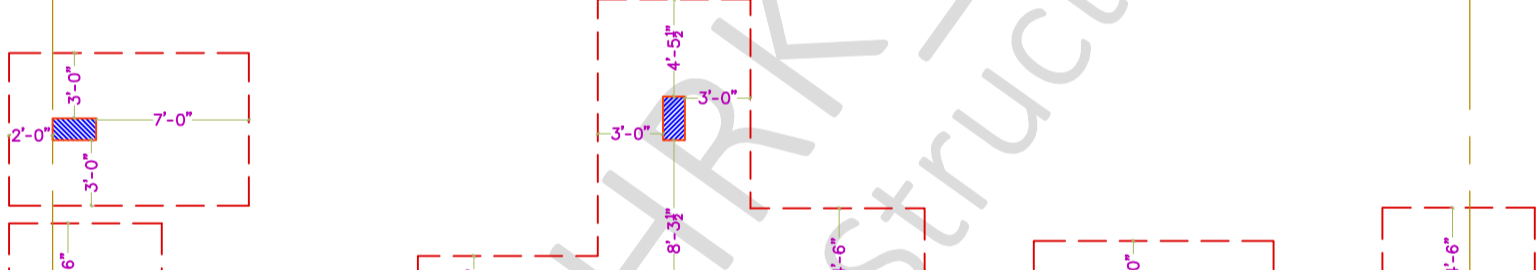
- F1=7'x11'=17No's
- F2=5'x8'=2No's
- F3=16'x12'=5No's
- F4=7'x20'=1No's
- F5=As per Details=1No's
- F6=7'x17'=1No's
- F7=As per Details=1No's



## Excavation Depth -6'06"



## Excavation Depth -6'06"



- F1=7'x11'=17No's
- F2=5'x8'=2No's
- F3=16'x12'=5No's
- F4=7'x20'=1No's
- F5=As per Details=1No's
- F6=7'x17'=1No's
- F7=As per Details=1No's

SHEET TITLE	
S - 1	Footing's Plan
S - 2	Footing's Details
S - 3	Footing's Layout
S - 4	

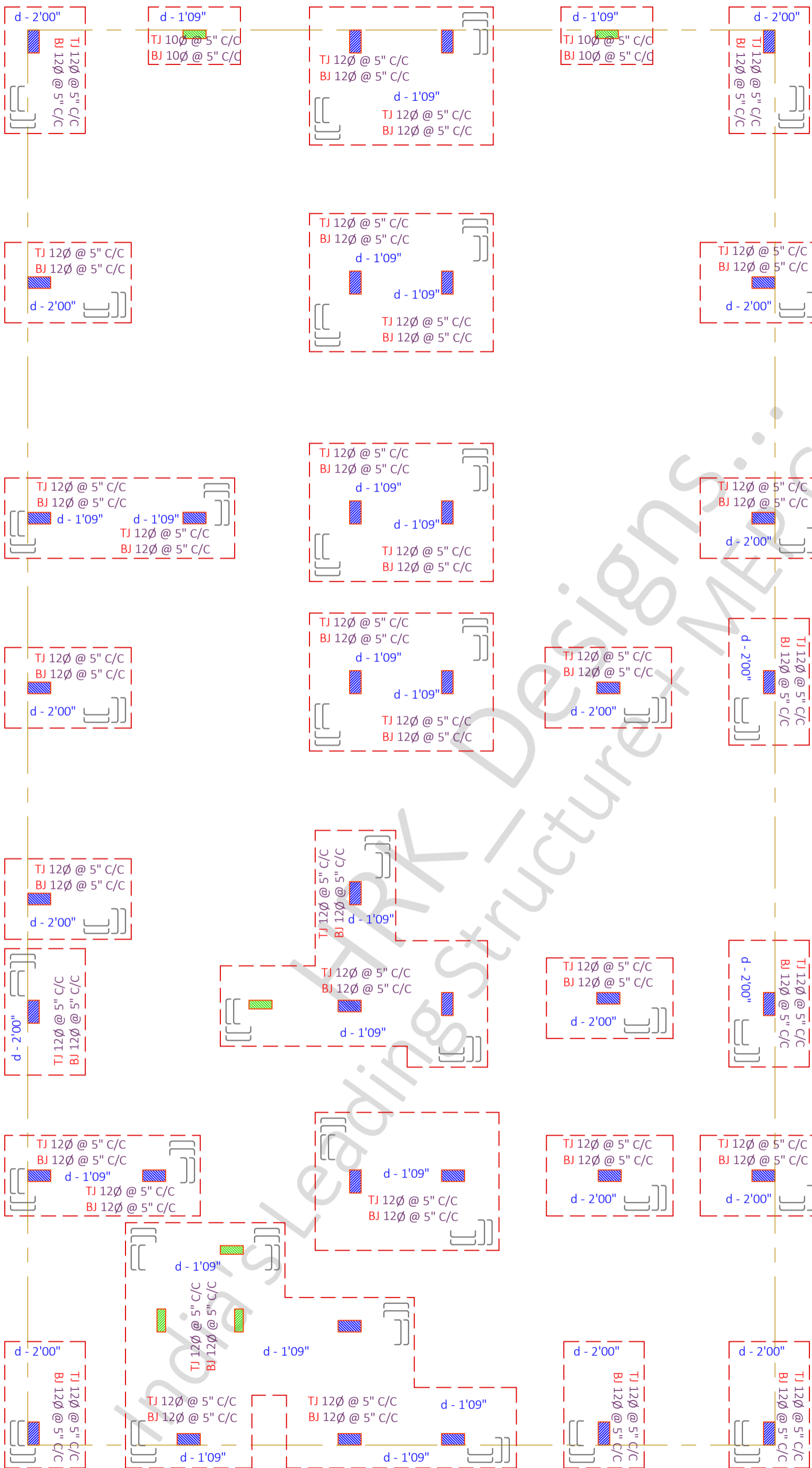
PROJECT BY:-  
**KD Architect Studio**  
 Ar. Lakshay Drall Ji  
 BahadurGarh/Mundka Delhi  
 NCR 110041 INDIA

GF + 4 Story  
 building for  
**NURSING CLG**

HRK DESIGNS STRUCTURE CONSULTANTS INDIA PVT LTD  
 Vasna Bayali Road TP2  
 Gotri Road Vadodara - 391014  
 www.hrkdesigns.in  
 techteam@hrkdesigns.in

<b>S-8 Foot's Plan &amp; Details</b>			
Date - 08/02/2023	PVH	AKA	<b>A3 PRINTS</b>
HRKD/STR/13/02/23	Str Engg.		HRKD/STR/GFC/13/02/23
Str Sign	AKA	Str Stamp	STR - REV - 3
Principal Engineer			23/08/2024 ***NA***

ARCHITECT WORKINGS DRAWINGS RIGHTS RESERVED BY KD Architects & Team



F1=7'x11'=17No's  
 F2=5'x8'=2No's  
 F3=16'x12'=5No's  
 F4=7'x20'=1No's  
 F5=As per Details=1No's  
 F6=7'x17'=1No's  
 F7=As per Details=1No's

F1=7'x11'=17No's  
 F2=5'x8'=2No's  
 F3=16'x12'=5No's  
 F4=7'x20'=1No's  
 F5=As per Details=1No's  
 F6=7'x17'=1No's  
 F7=As per Details=1No's

**SHEET TITLE**

S - 1	Footings Plan
S - 2	Footings Details
S - 3	Footings Layout
S - 4	

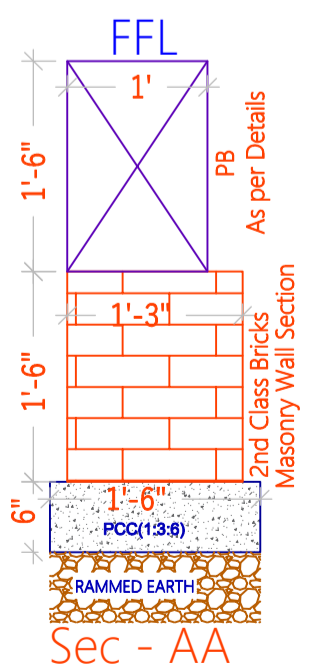
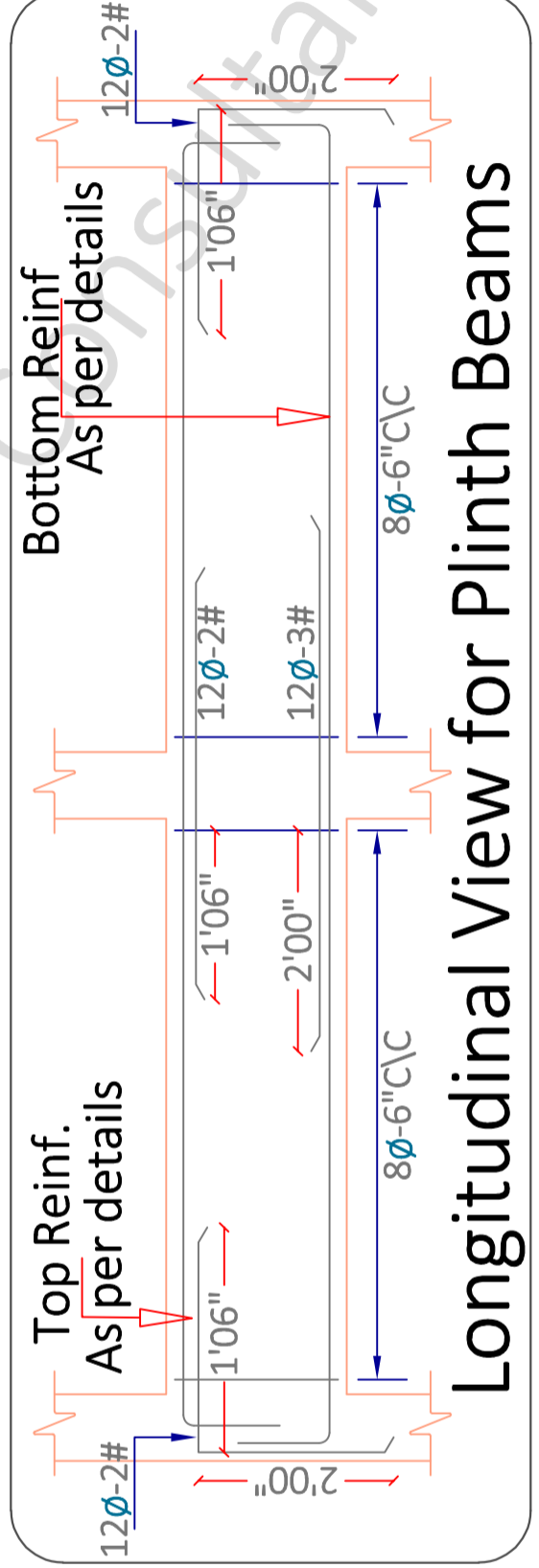
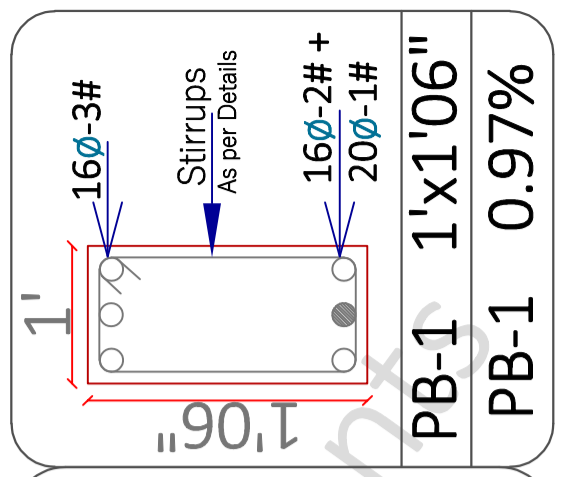
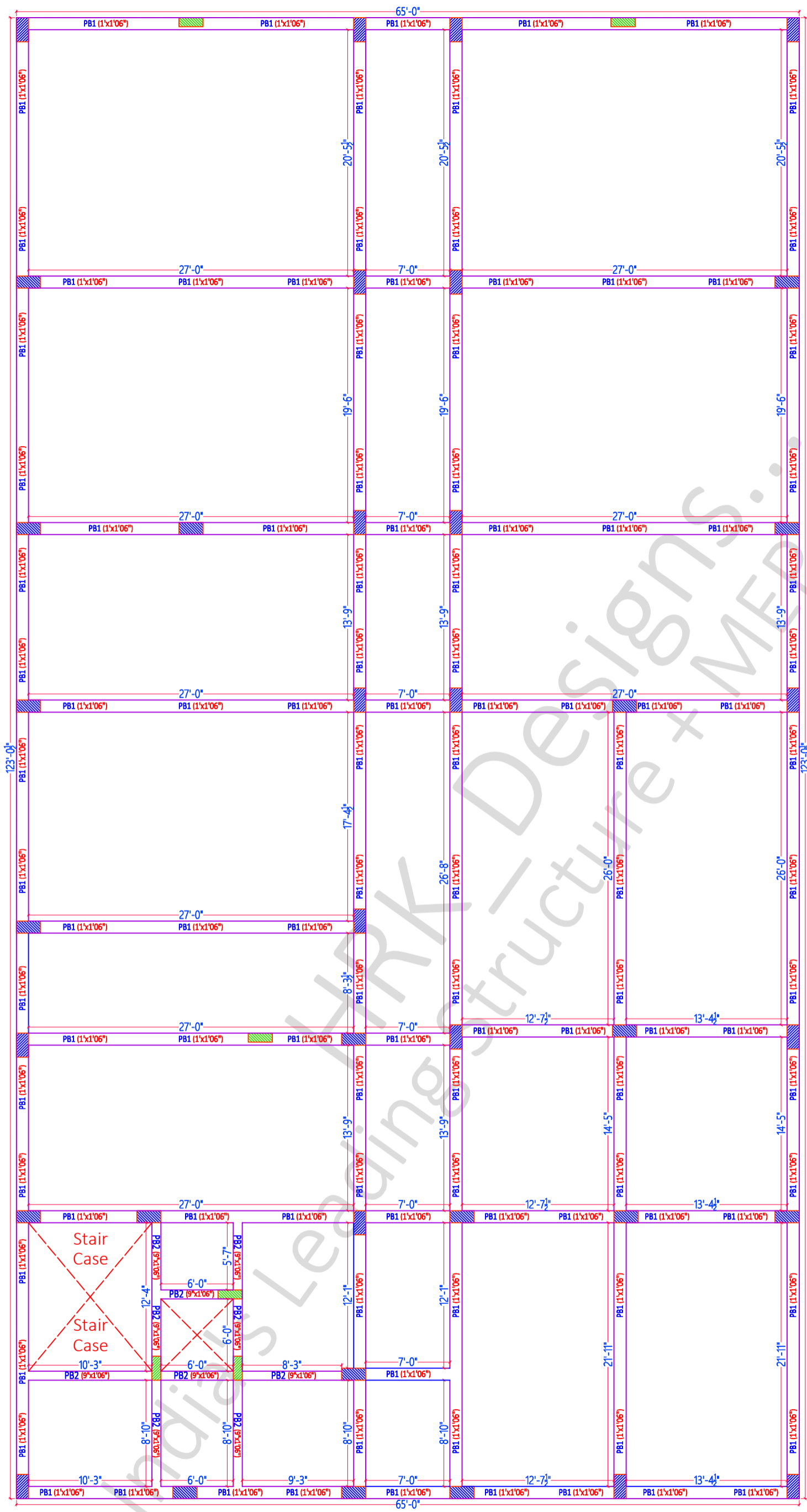
**PROJECT BY:-**  
 KD Architect Studio  
 Ar. Lakshay Drall Ji  
 BahadurGarh/Mundka Delhi  
 NCR 110041 INDIA

GF + 4 Story building for  
**NURSING CLG**

HRK DESIGNS STRUCTURE CONSULTANTS INDIA PVT LTD  
 Vasna Bayali Road TP2  
 Gotri Road Vadodara - 391014  
 www.hrkdesigns.in  
 techteam@hrkdesigns.in  
 HRK Designs  
 Gandhidham | Vadodara | Delhi | Mumbai

**S-9 Foot's Plan & Details**

Date - 08/02/2023	PVH	AKA	<b>A3 PRINTS</b>
HRKD/STR/13/02/23	Str Engg.		HRKD/STR/GFC/13/02/23
Str Sign	AKA	Str Stamp	STR - REV - 3 23/08/2024 ***NA***



**SHEET TITLE**

S - 1	PB Plan
S - 2	PB Plan & Layout
S - 3	PB Plan & C/S Details
S - 4	

**PROJECT BY:-**

KD Architect Studio  
Ar. Lakshay Drall Ji  
BahadurGarh/Mundka Delhi  
NCR 110041 INDIA

GF + 4 Story  
building for

**NURSING CLG**

+91-9980 930 347

HRK DESIGNS STRUCTURE  
CONSULTANTS INDIA PVT LTD

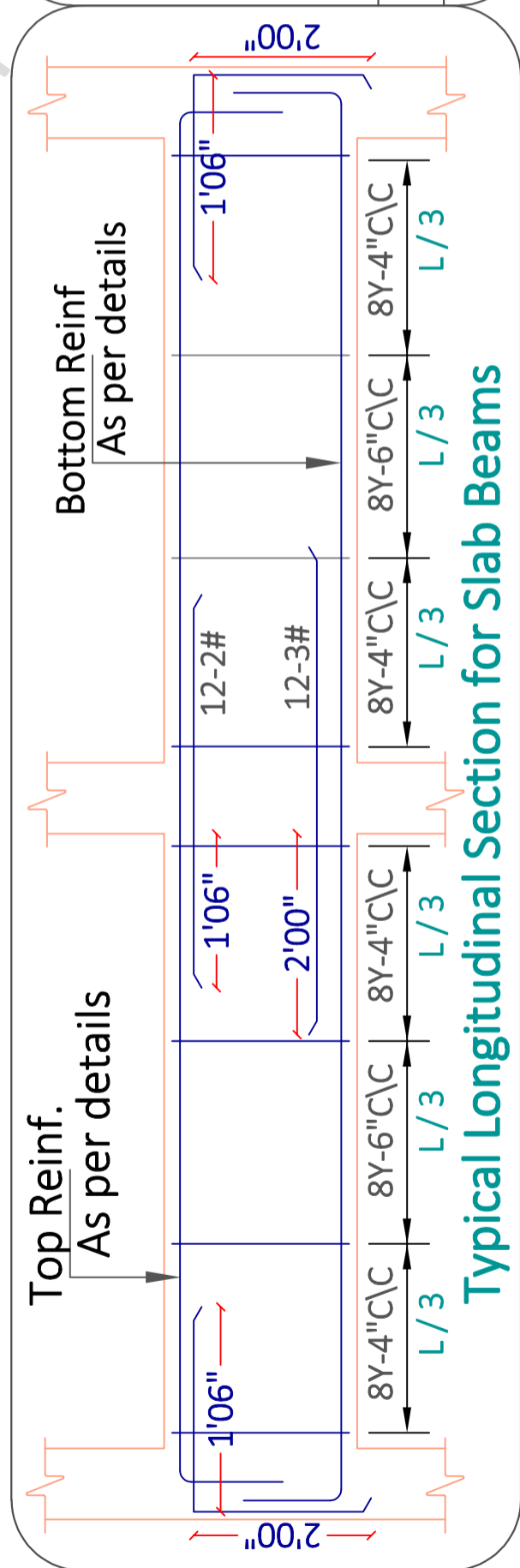
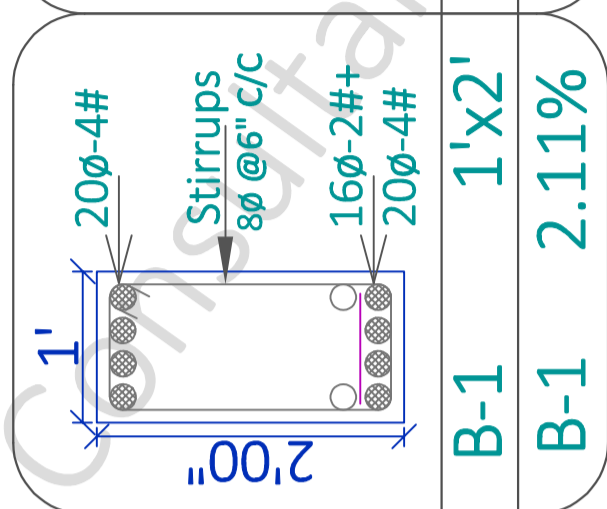
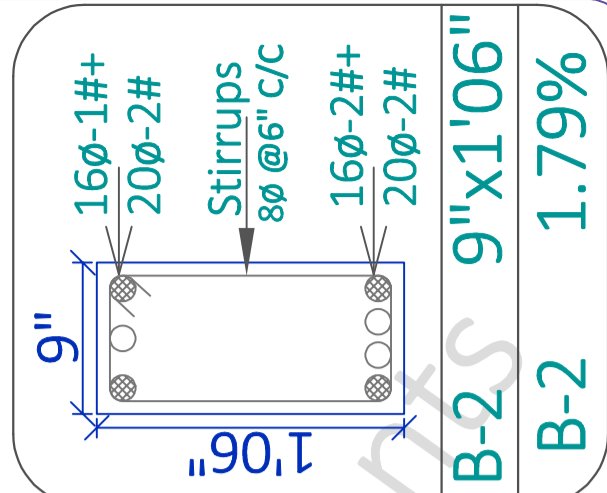
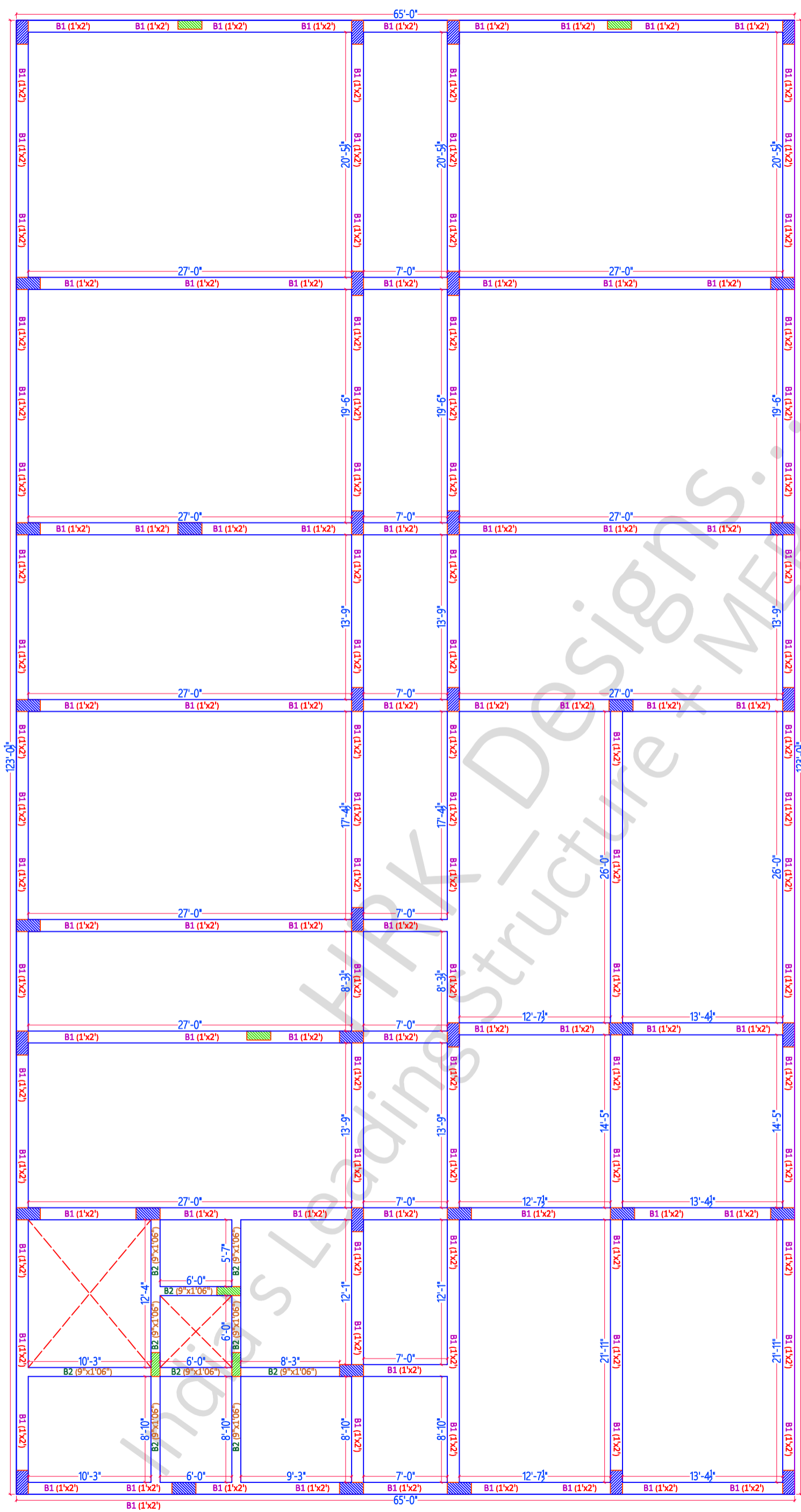
Vasna Bayali Road TP2  
Gotri Road Vadodara -  
391014



www.hrkdsgns.in  
techteam@hrkdsgns.in

**S-10 PB Plan & Details**

Date - 08/02/2023	PVH	AKA	<b>A3 PRINTS</b>
HRKD/STR/13/02/23	Str Engg.		HRKD/STR/GFC/13/02/23
Str Sign			STR - REV - 3
AKA		Str Stamp	23/08/2024 ***NA***



**SHEET TITLE**

S - 1	GF Beam Plan
S - 2	GF Beam Plan & Layout
S - 3	GF Beam Plan & C/S Details
S - 4	

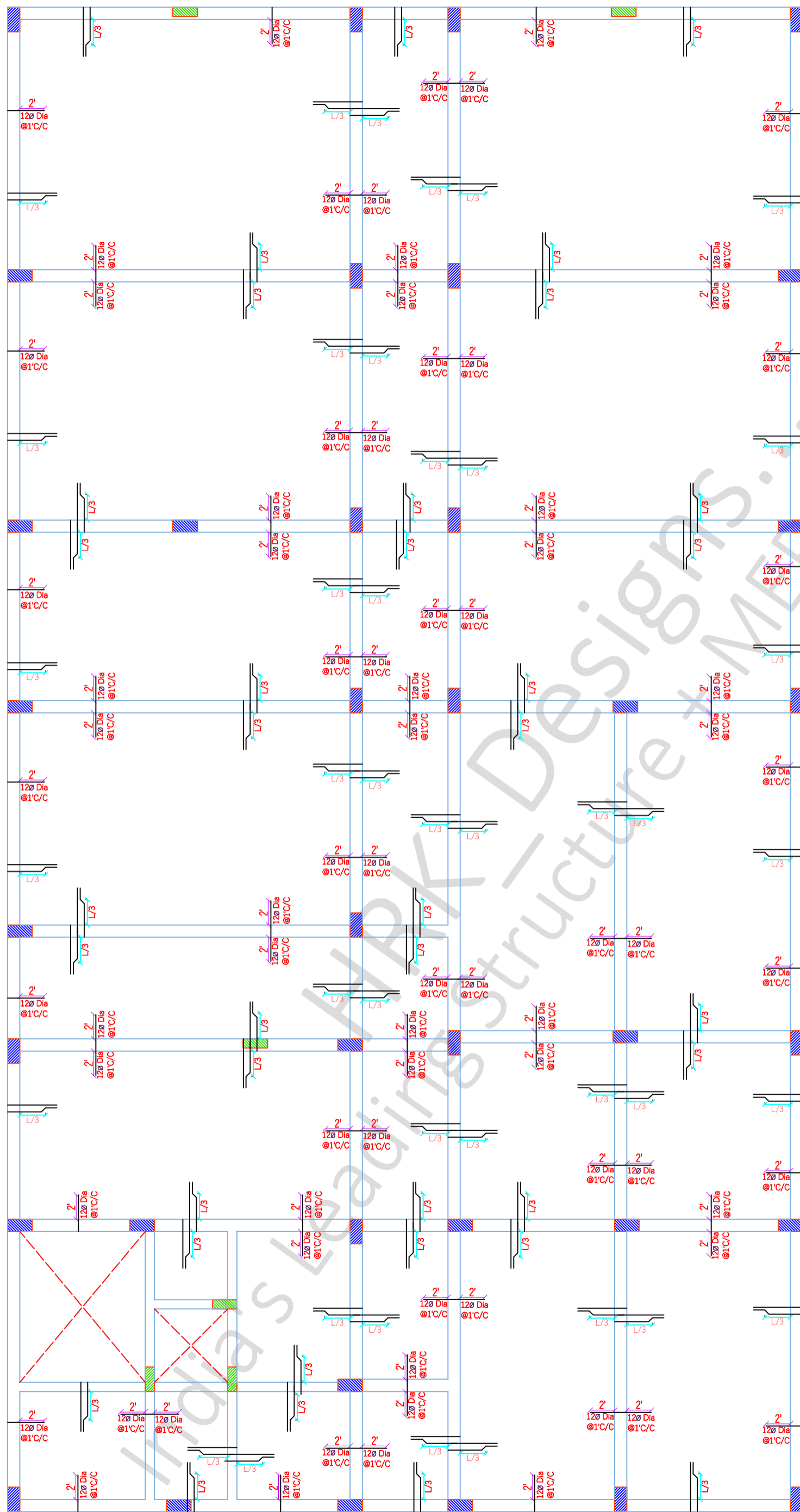
PROJECT BY:-  
**KD Architect Studio**  
 Ar. Lakshay Drall Ji  
 BahadurGarh/Mundka Delhi  
 NCR 110041 INDIA

GF + 4 Story  
 building for  
**NURSING CLG**

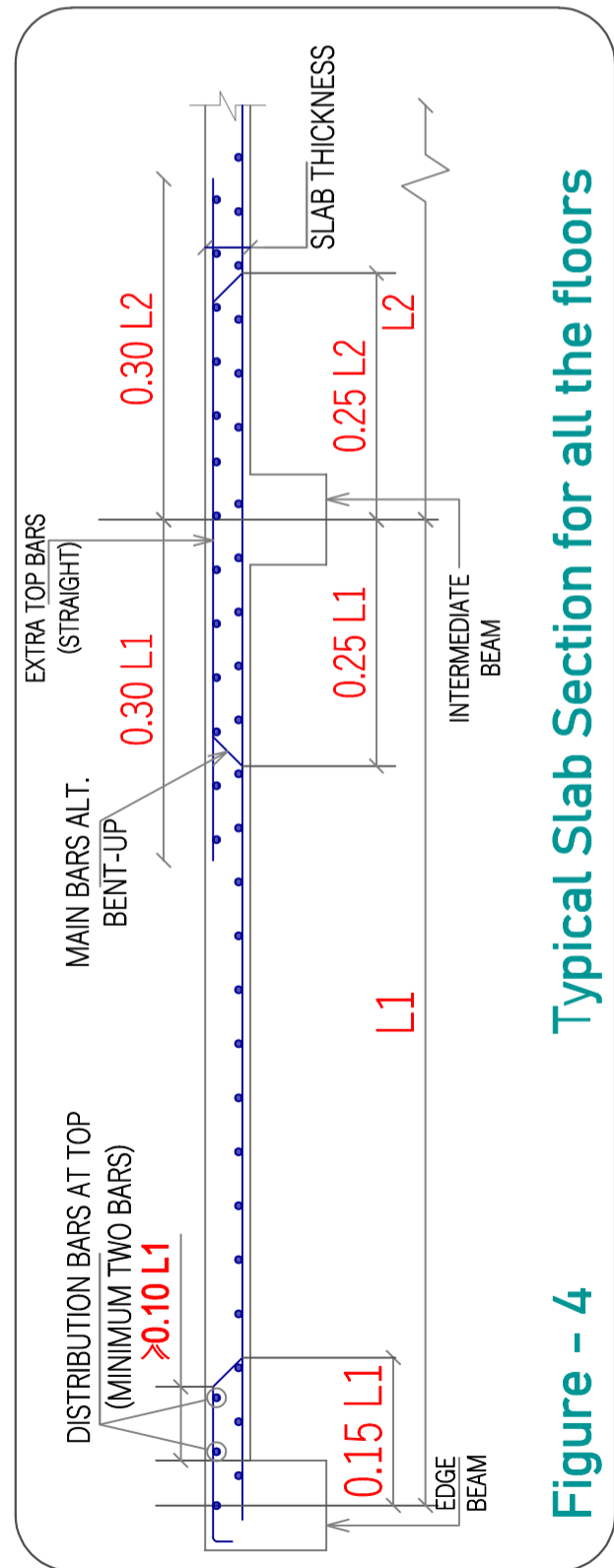
HRK DESIGNS STRUCTURE CONSULTANTS INDIA PVT LTD  
 Vasna Bayali Road TP2  
 Gotri Road Vadodara - 391014  
 www.hrkdsgns.in  
 techteam@hrkdsgns.in

**S-11 GF Beam Plan & Details**

Date - 08/02/2023	PVH	AKA	<b>A3 PRINTS</b>
HRKD/STR/13/02/23	Str Engg.		HRKD/STR/GFC/13/02/23
Str Sign	AKA	Str Stamp	STR - REV - 3 23/08/2024



**Slab Thickness = 6"**  
**10∅ Bent-up bars @ 5" C/C**  
**10∅ Straight bars @ 5" C/C**  
**12∅ Extra bars @ 1' C/C**  
 (Junctions & Ends)



Typical Slab Section for all the floors

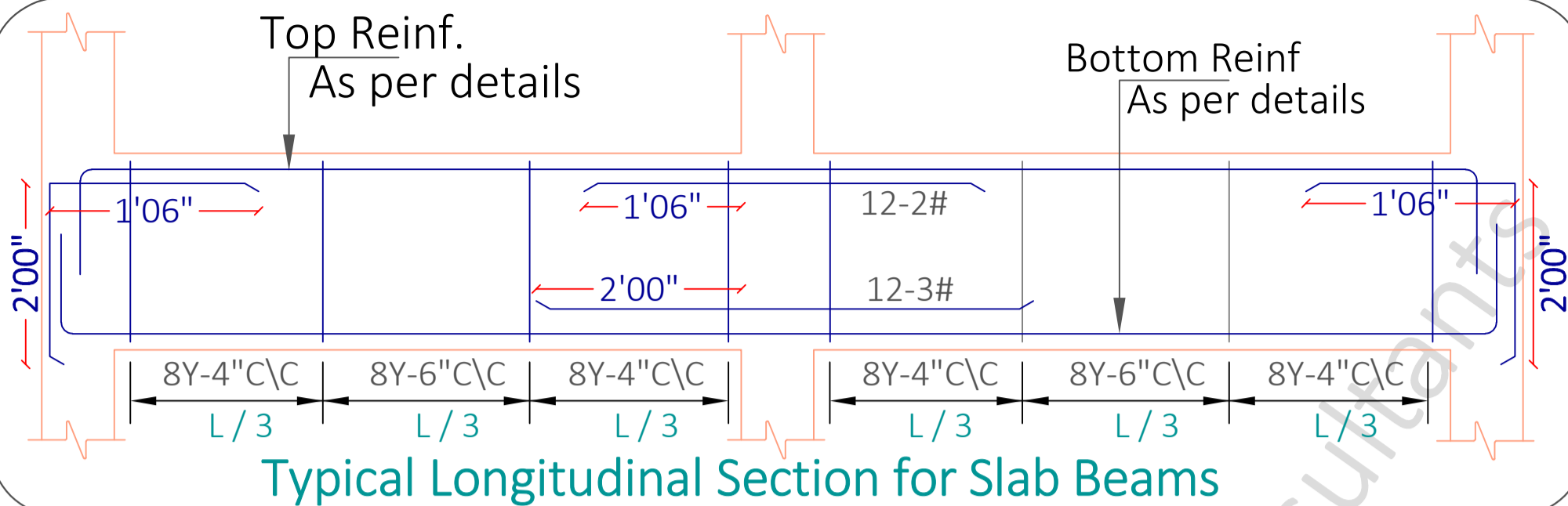
Figure - 4

SHEET TITLE	
S - 1	GF Slab Plan
S - 2	GF Slab Plan & Layout
S - 3	GF Slab Plan & C/S Details
S - 4	

PROJECT BY:- KD Architect Studio Ar. Lakshay Drall Ji BahadurGarh/Mundka Delhi NCR 110041 INDIA
---

GF + 4 Story building for  
**NURSING CLG**  
 HRK DESIGNS STRUCTURE CONSULTANTS INDIA PVT LTD  
 Vasna Bayali Road TP2  
 Gotri Road Vadodara - 391014  
 www.hrkdsgns.in  
 techteam@hrkdsgns.in  
 HRK Designs  
 Gandhidham | Vadodara | Delhi | Mumbai

<b>S-12 GF Slab Plan &amp; Details</b>			
Date - 08/02/2023	PVH	AKA	<b>A3 PRINTS</b>
HRKD/STR/13/02/23	Str Engg.		HRKD/STR/GFC/13/02/23
Str Sign	AKA	Str Stamp	STR - REV - 3
Principal Engineer			23/08/2024 ***NA***



Typical Longitudinal Section for Slab Beams

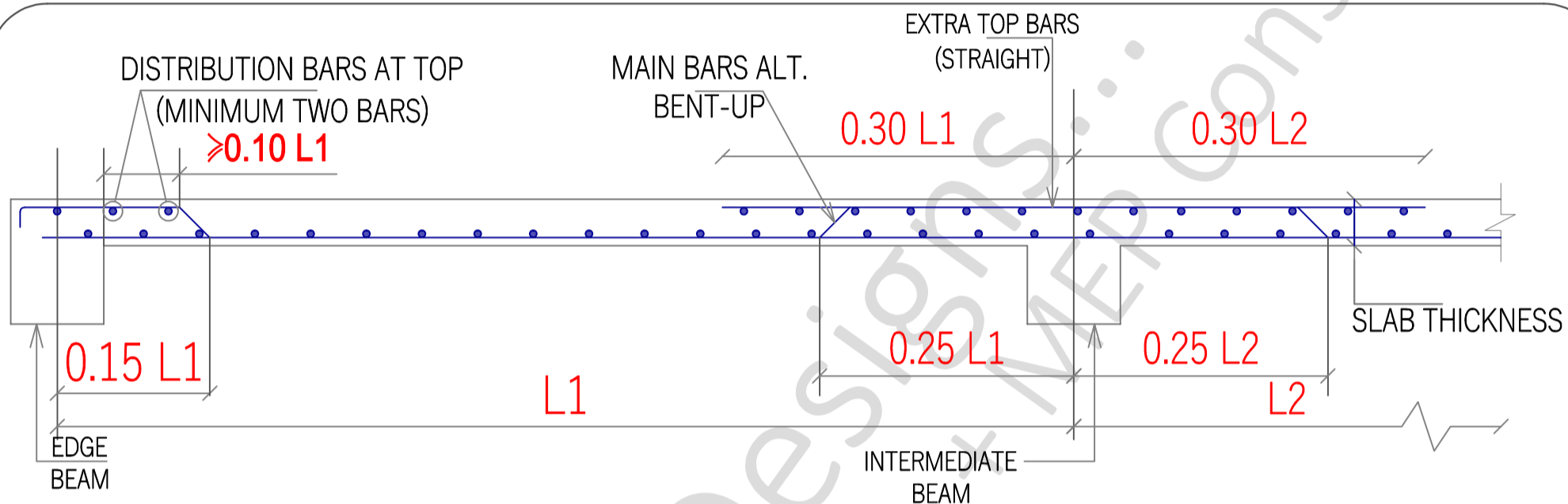
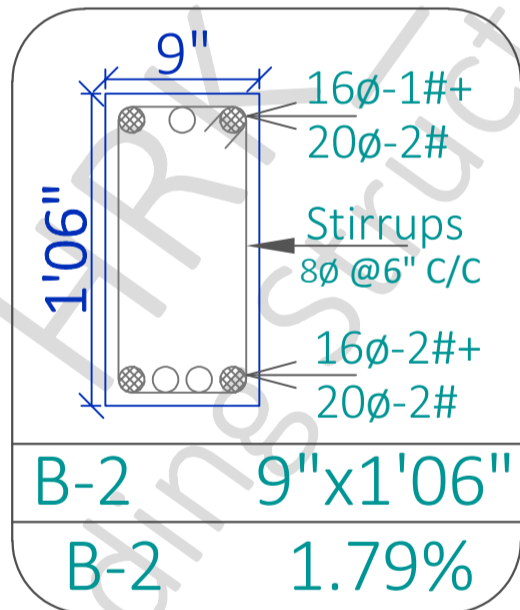
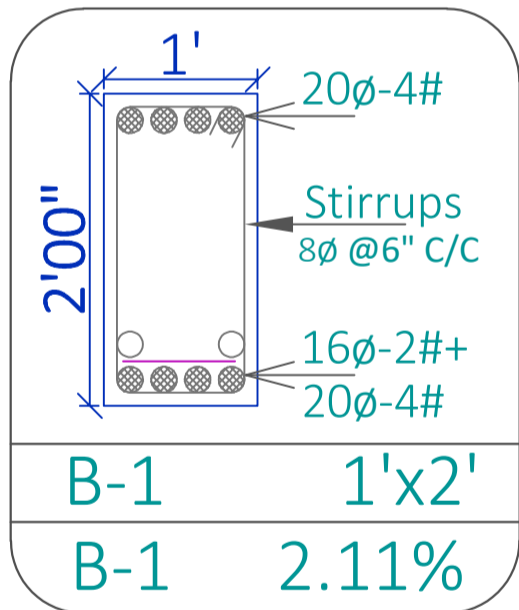


Figure - 4

Typical Slab Section for all the floors



Slab Thickness = 6"

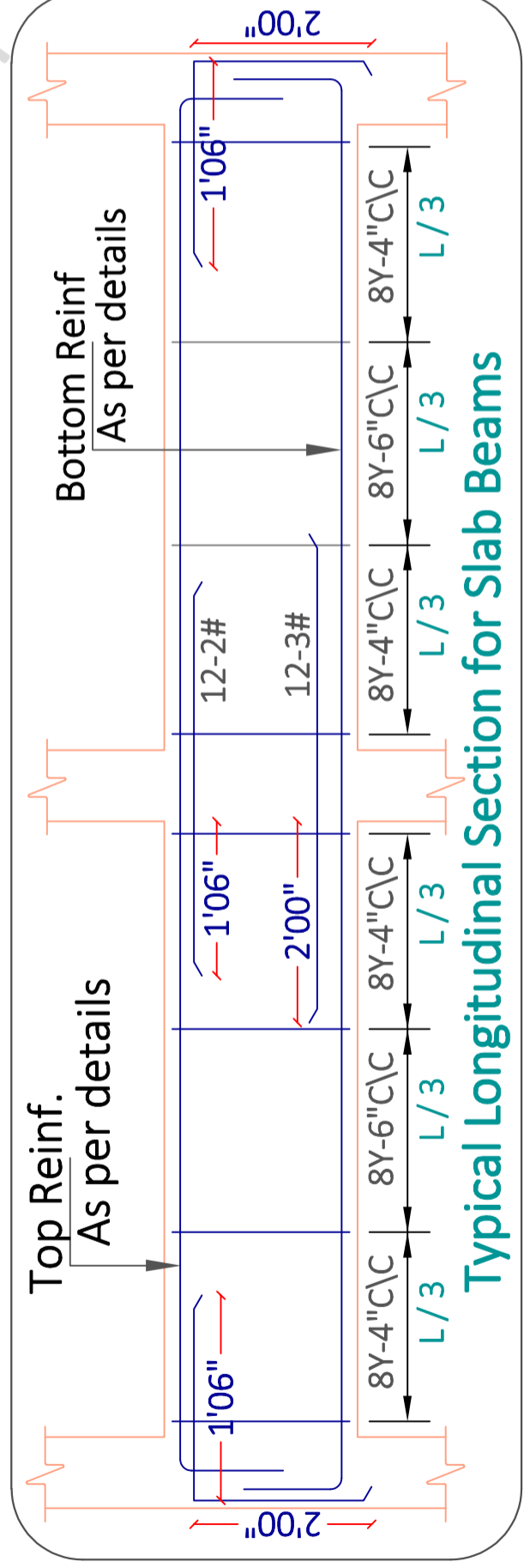
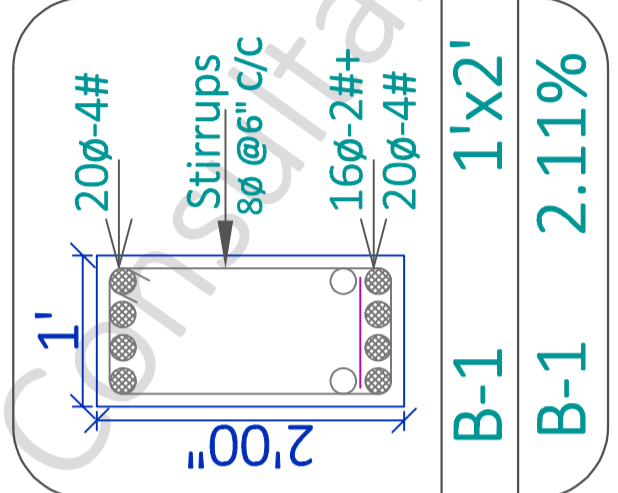
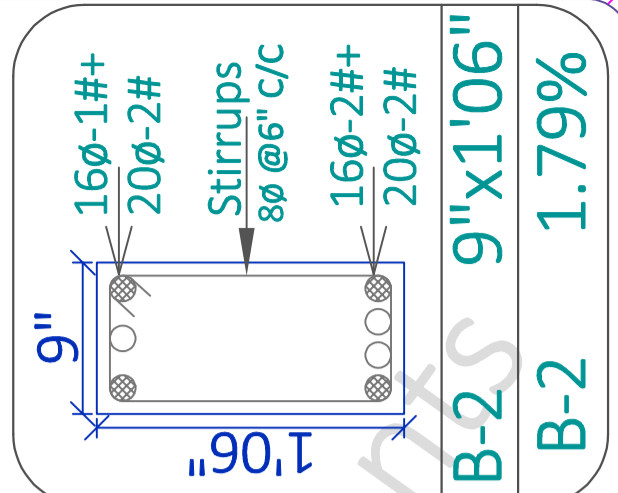
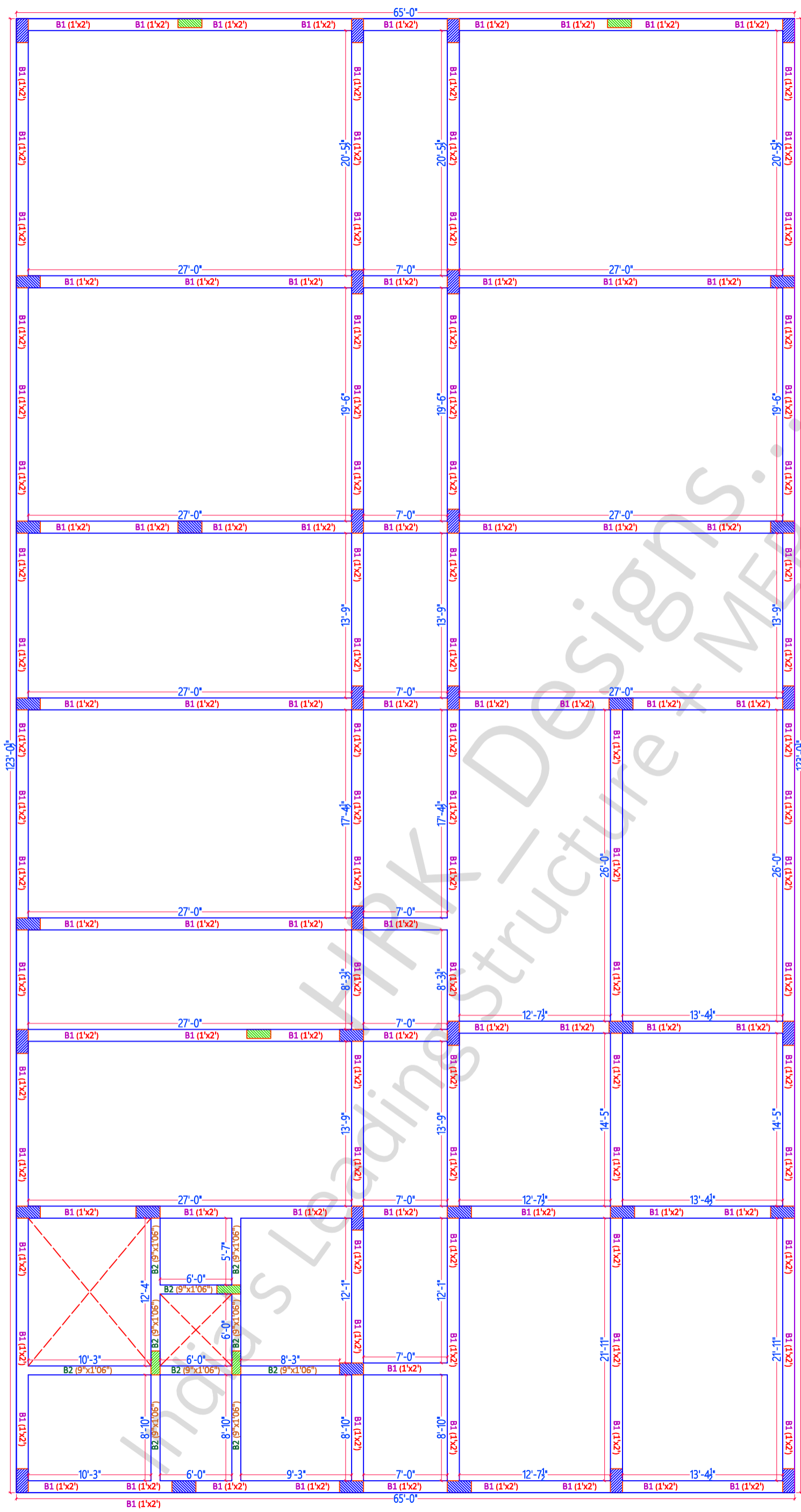
10∅ Bent-up bars @ 5" C/C

10∅ Straight bars @ 5" C/C

12∅ Extra bars @ 1' C/C (Junctions & Ends)

- SMALLER DIA REINFORCEMENT BAR
- LARGER DIA REINFORCEMENT BAR

<b>SHEET TITLE</b>		<b>PROJECT BY:-</b>	GF + 4 Story building for	 HRK DESIGNS STRUCTURE CONSULTANTS INDIA PVT LTD Vasna Bayali Road TP2 Gotri Road Vadodara - 391014 www.hrkdesigns.in techteam@hrkdesigns.in Gandhidham   Vadodara   Delhi   Mumbai	<b>S-13 GF Beam &amp; Reinf<sup>^</sup> Details</b>			
S - 1	GF Beam C/S Details	KD Architect Studio	NURSING CLG		Date - 08/02/2023	PVH	AKA	A3 PRINTS
S - 2	GF Slab C/S Details	Ar. Lakshay Drall Ji			HRKD/STR/13/02/23	Str Engg.		HRKD/STR/GFC/13/02/23
S - 3	GF Beam Reinf <sup>^</sup> C/S Details	BahadurGarh/Mundka Delhi			Str Sign			STR - REV - 3
S - 4	GF Slab Reinf <sup>^</sup> Details	NCR 110041 INDIA		Principal Engineer		AKA	23/08/2024 ***NA***	

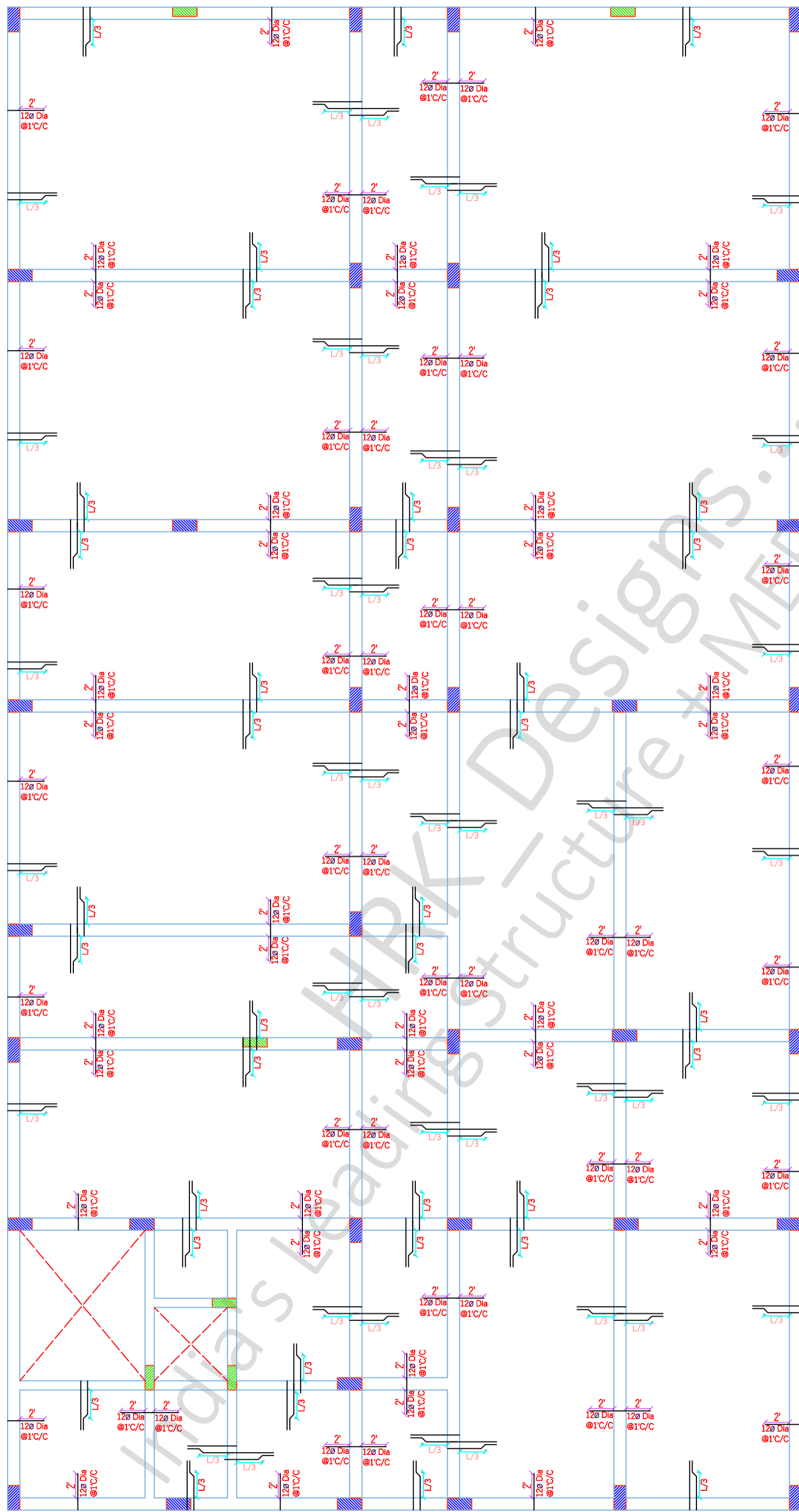


SHEET TITLE	
S - 1	FF Beam Plan
S - 2	FF Beam Plan & Layout
S - 3	FF Beam Plan & C/S Details
S - 4	

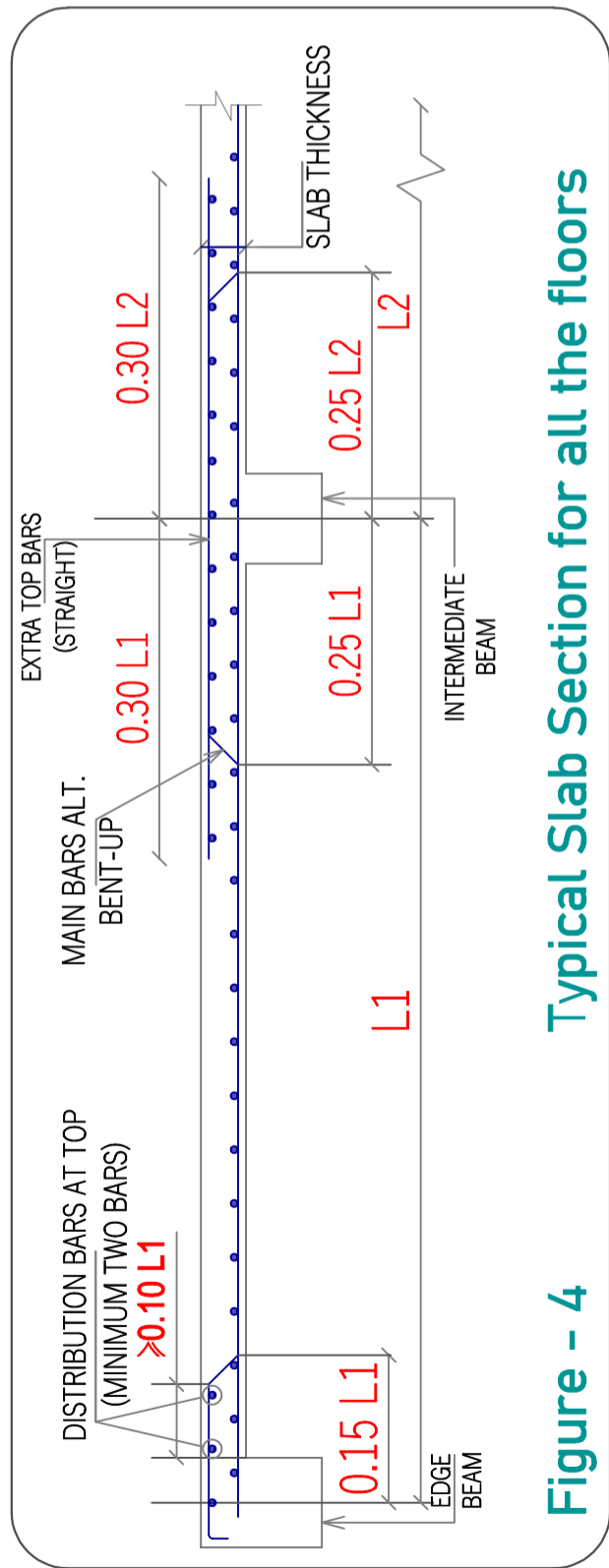
PROJECT BY:-  
**KD Architect Studio**  
 Ar. Lakshay Drall Ji  
 BahadurGarh/Mundka Delhi  
 NCR 110041 INDIA

GF + 4 Story building for  
**NURSING CLG**  
 HRK DESIGNS STRUCTURE CONSULTANTS INDIA PVT LTD  
 Vasna Bayali Road TP2  
 Gotri Road Vadodara - 391014  
 www.hrkdesigns.in  
 techteam@hrkdesigns.in  
 +91-9980930347  
 Gandhidham | Vadodara | Delhi | Mumbai

**S-14 FF Beam Plan & Details**  
 Date - 08/02/2023  
 PVH AKA  
 Str Engg.  
 Str Sign  
 AKA  
 Str Stamp  
**A3 PRINTS**  
 HRKD/STR/13/02/23  
 STR - REV - 3  
 23/08/2024



**Slab Thickness = 6"**  
**10∅ Bent-up bars @ 5" C/C**  
**10∅ Straight bars @ 5" C/C**  
**12∅ Extra bars @ 1' C/C**  
 (Junctions & Ends)



Typical Slab Section for all the floors

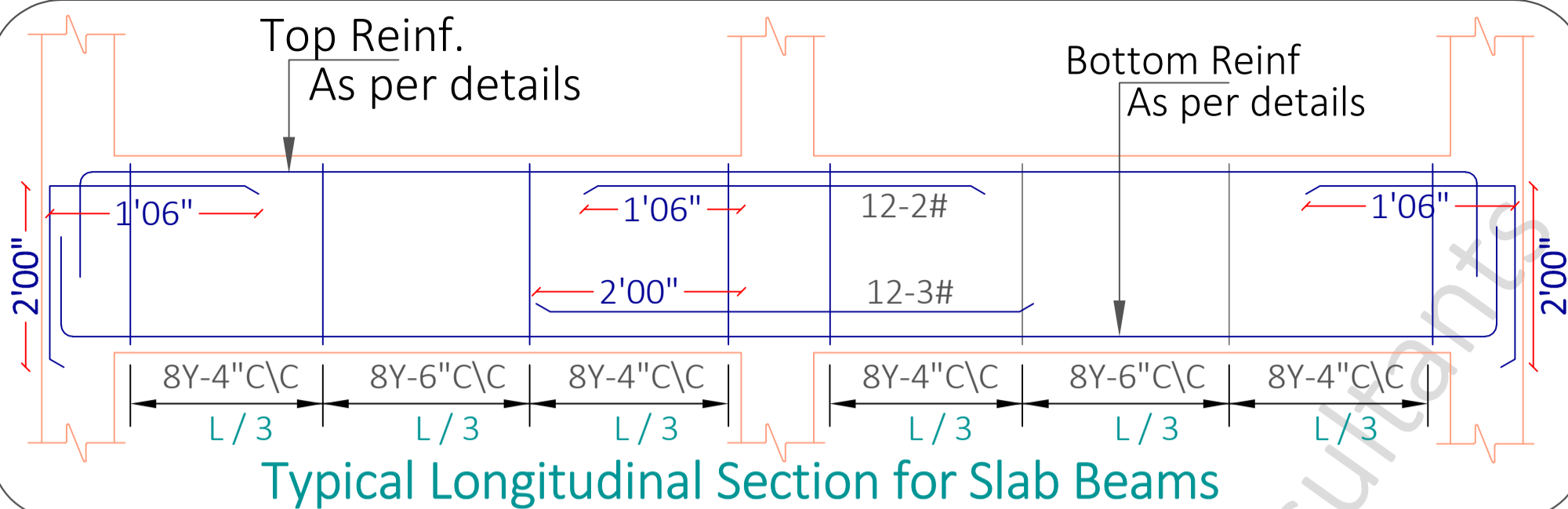
Figure - 4

SHEET TITLE	
S - 1	FF Slab Plan
S - 2	FF Slab Plan & Layout
S - 3	FF Slab Plan & C/S Details
S - 4	

PROJECT BY:- KD Architect Studio Ar. Lakshay Drall Ji BahadurGarh/Mundka Delhi NCR 110041 INDIA
---

GF + 4 Story building for  
**NURSING CLG**  
 HRK DESIGNS STRUCTURE CONSULTANTS INDIA PVT LTD  
 Vasna Bayali Road TP2  
 Gotri Road Vadodara - 391014  
 www.hrkdsgns.in  
 techteam@hrkdsgns.in  
 Gandhidham | Vadodara | Delhi | Mumbai

<b>S-15 FF Slab Plan &amp; Details</b>			
Date - 08/02/2023	PVH	AKA	<b>A3 PRINTS</b>
HRKD/STR/13/02/23	Str Engg.		HRKD/STR/GFC/13/02/23
Str Sign	AKA	Str Stamp	STR - REV - 3 23/08/2024 ***NA***



Typical Longitudinal Section for Slab Beams

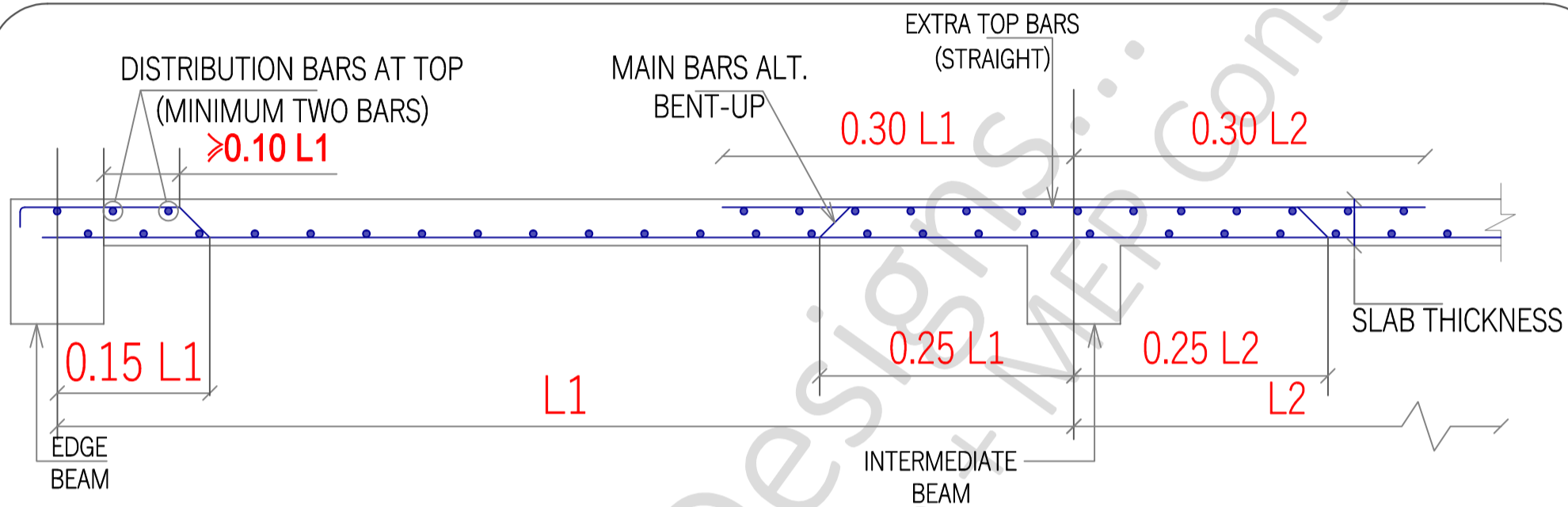
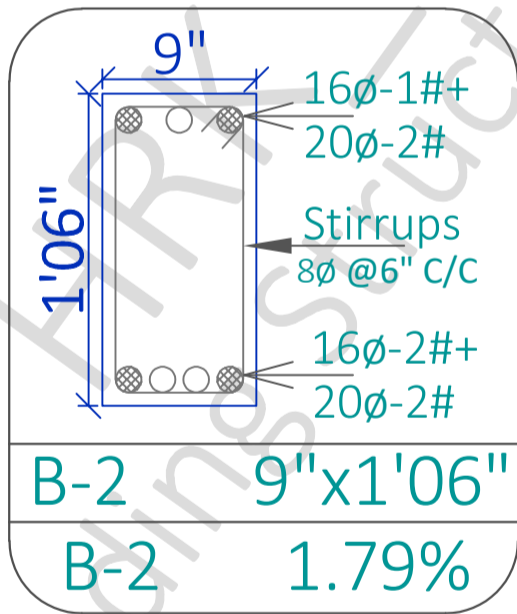
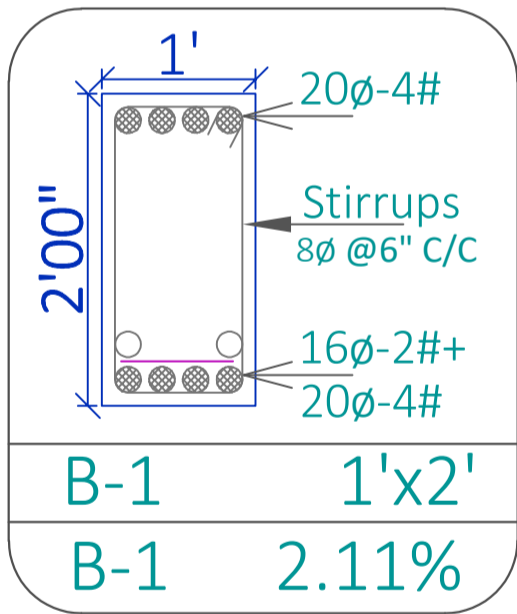


Figure - 4

Typical Slab Section for all the floors



Slab Thickness = 6"

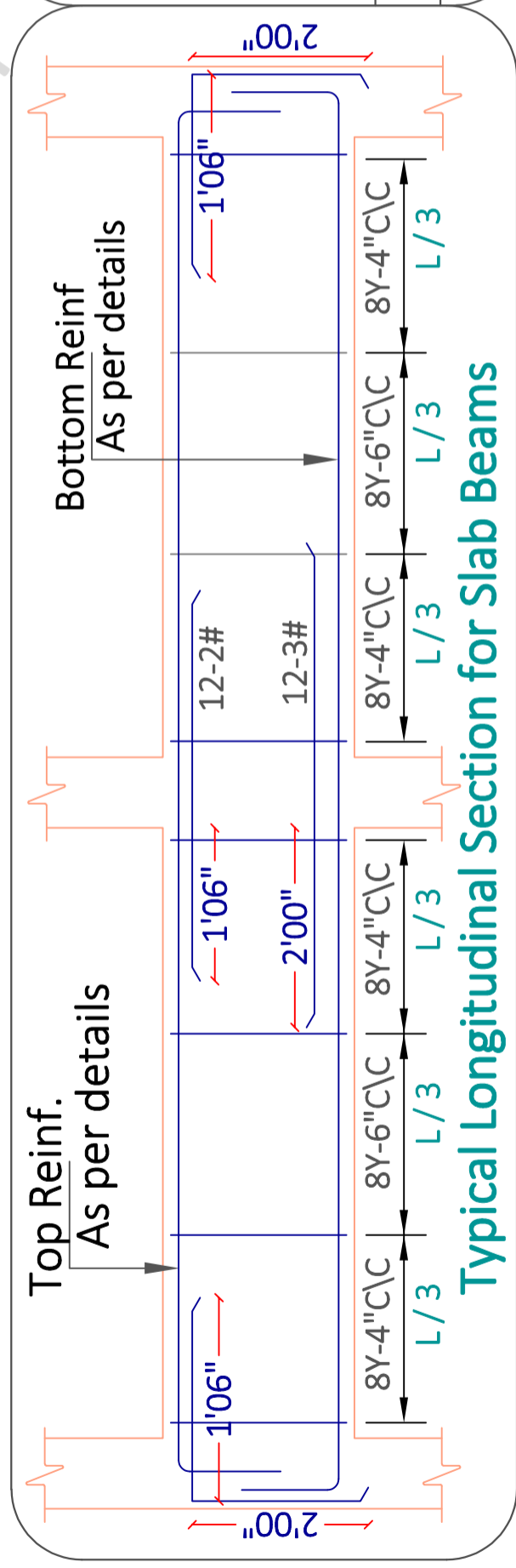
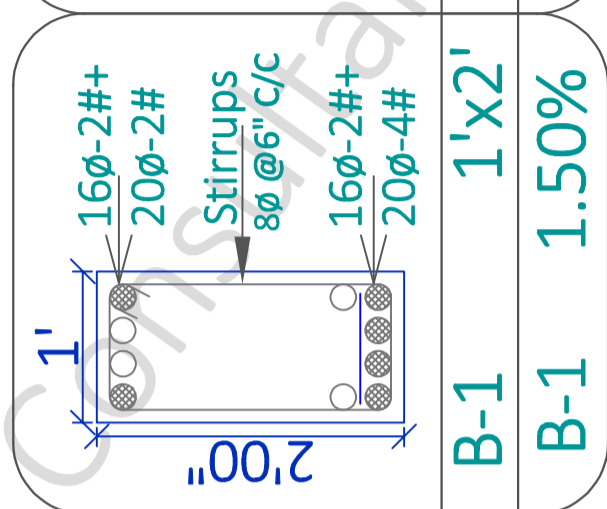
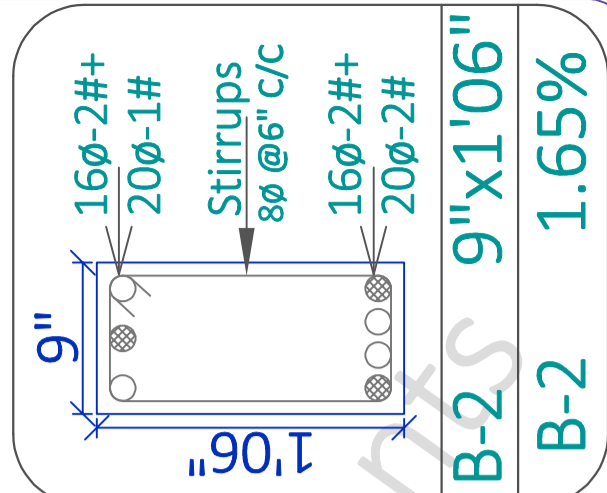
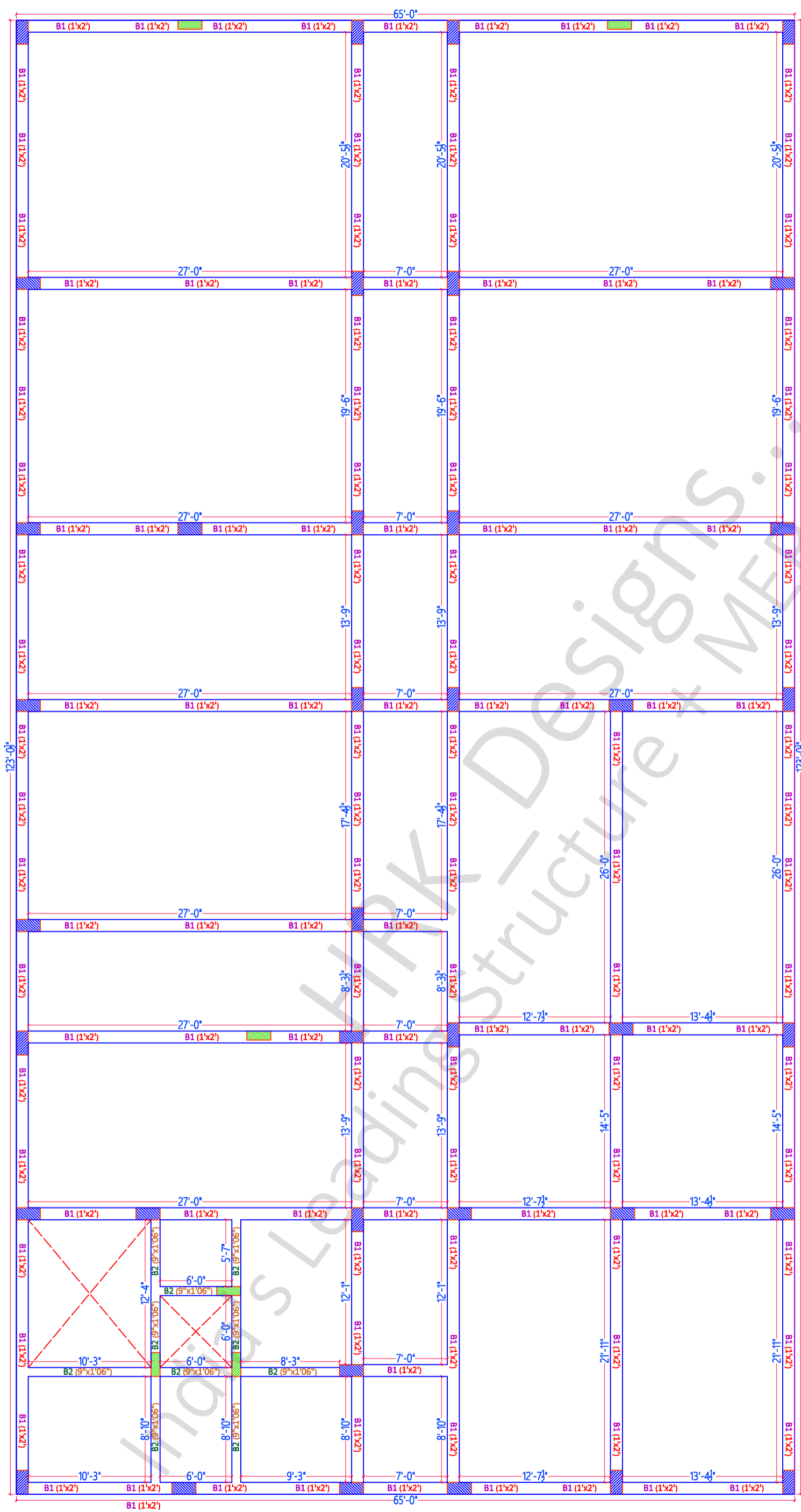
10∅ Bent-up bars @ 5" C/C

10∅ Straight bars @ 5" C/C

12∅ Extra bars @ 1' C/C (Junctions & Ends)

- SMALLER DIA REINFORCEMENT BAR
- LARGER DIA REINFORCEMENT BAR

SHEET TITLE		PROJECT BY:-		GF + 4 Story building for		S-16 FF Beam & Reinf^ Details	
S - 1	FF Beam C/S Details	KD Architect Studio	Ar. Lakshay Drall Ji	NURSING CLG	HRK DESIGNS STRUCTURE CONSULTANTS INDIA PVT LTD	Date - 08/02/2023	PVH AKA
S - 2	FF Slab C/S Details	BahadurGarh/Mundka Delhi	NCR 110041 INDIA		Vasna Bayali Road TP2 Gotri Road Vadodara - 391014	HRKD/STR/13/02/23	Str Engg.
S - 3	FF Beam Reinf^ C/S Details				www.hrkdesigns.in	Str Sign	HRKD/STR/GFC/13/02/23
S - 4	FF Slab Reinf^ Details				techteam@hrkdesigns.in	Principal Engineer AKA	STR - REV - 3
						23/08/2024	Str Stamp



**SHEET TITLE**

S - 1	SF Beam Plan
S - 2	SF Beam Plan & Layout
S - 3	SF Beam Plan & C/S Details
S - 4	

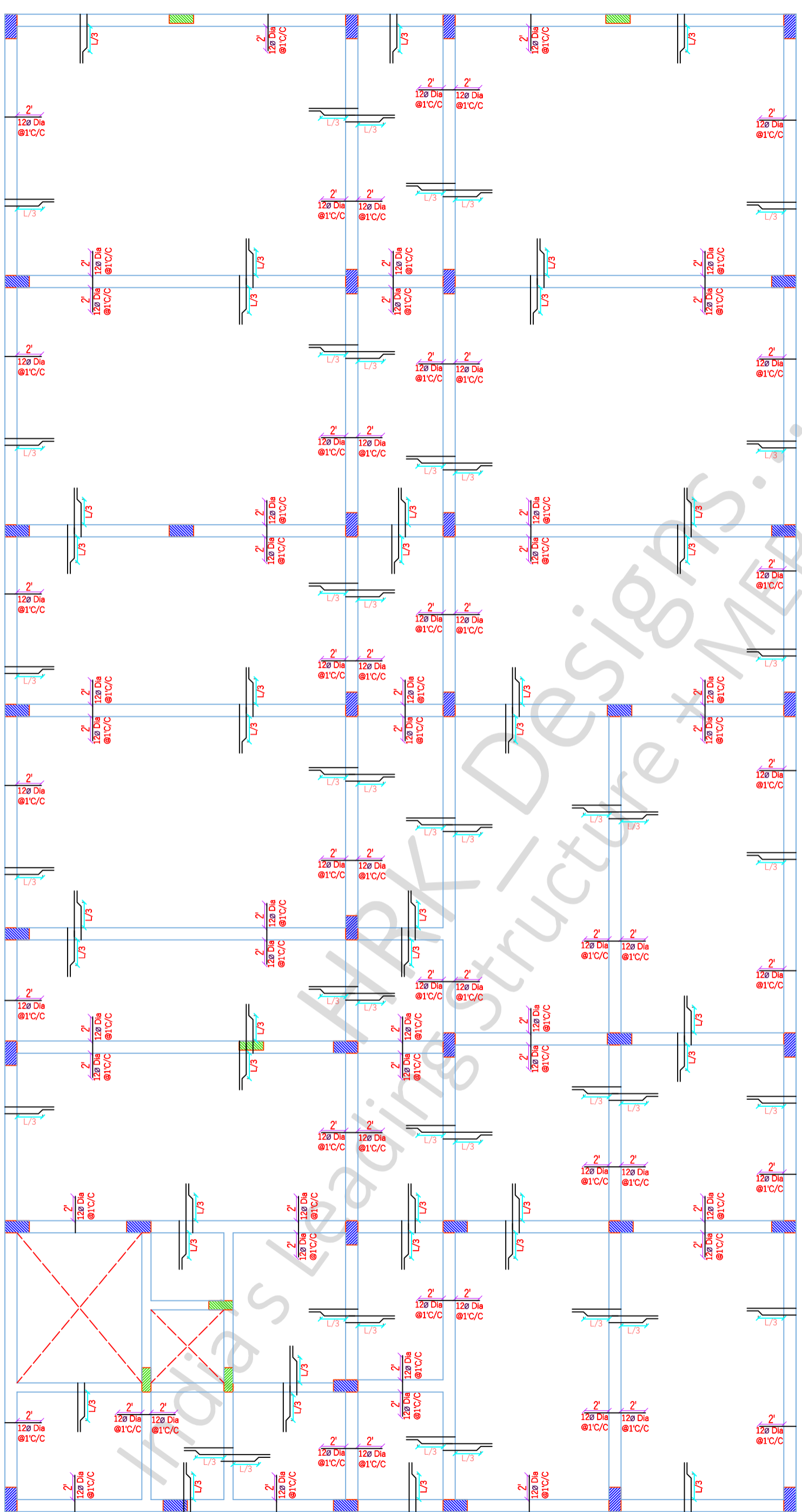
PROJECT BY:-  
**KD Architect Studio**  
 Ar. Lakshay Drall Ji  
 BahadurGarh/Mundka Delhi  
 NCR 110041 INDIA

GF + 4 Story  
 building for  
**NURSING CLG**

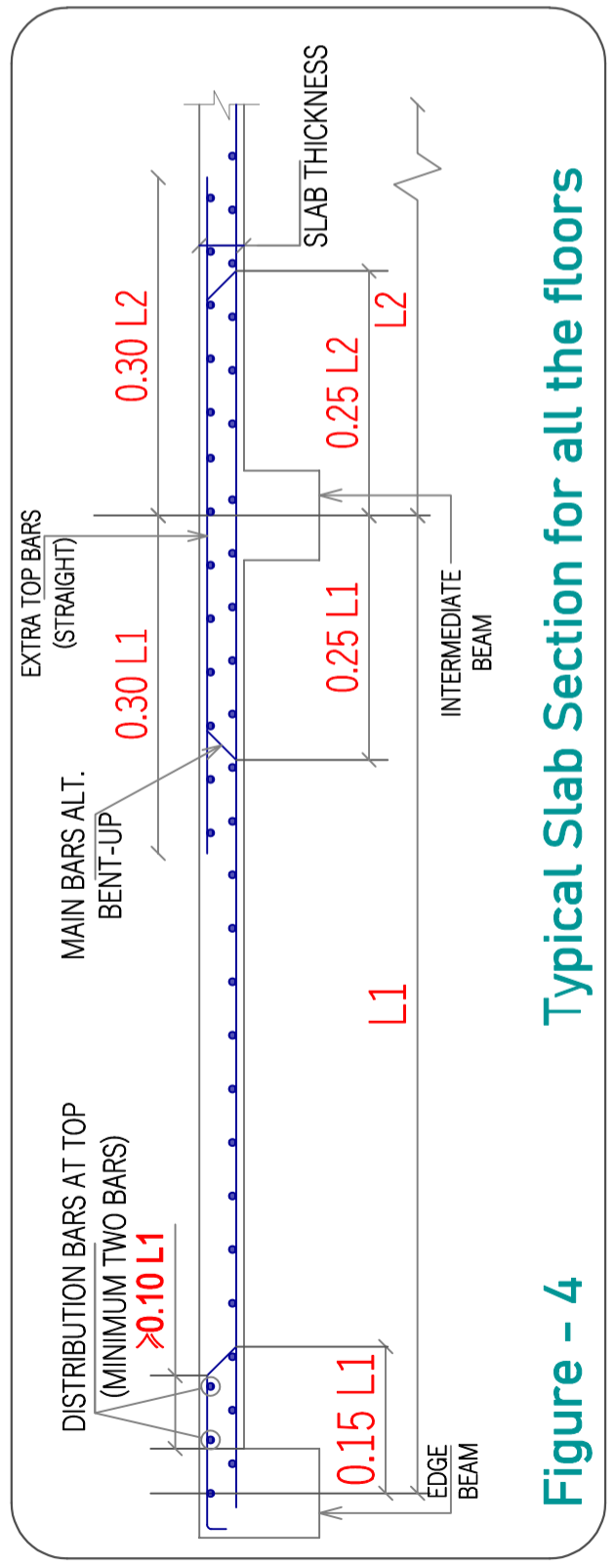
HRK DESIGNS STRUCTURE  
 CONSULTANTS INDIA PVT LTD  
 Vasna Bayali Road TP2  
 Gotri Road Vadodara -  
 391014  
 www.hrkdsgns.in  
 techteam@hrkdsgns.in  
 HRK Designs  
 Gandhidham | Vadodara | Delhi | Mumbai

**S-17 SF Beam Plan & Details**

Date - 08/02/2023  
 PVH  
 AKA  
 A3 PRINTS  
 HRKD/STR/13/02/23  
 Str Engg.  
 HRKD/STR/GFC/13/02/23  
 Str Sign  
 AKA  
 Str Stamp  
 STR - REV - 3  
 23/08/2024



**Slab Thickness = 6"**  
**10Ø Bent-up bars @ 5" C/C**  
**10Ø Straight bars @ 5" C/C**  
**12Ø Extra bars @ 1' C/C**  
 (Junctions & Ends)



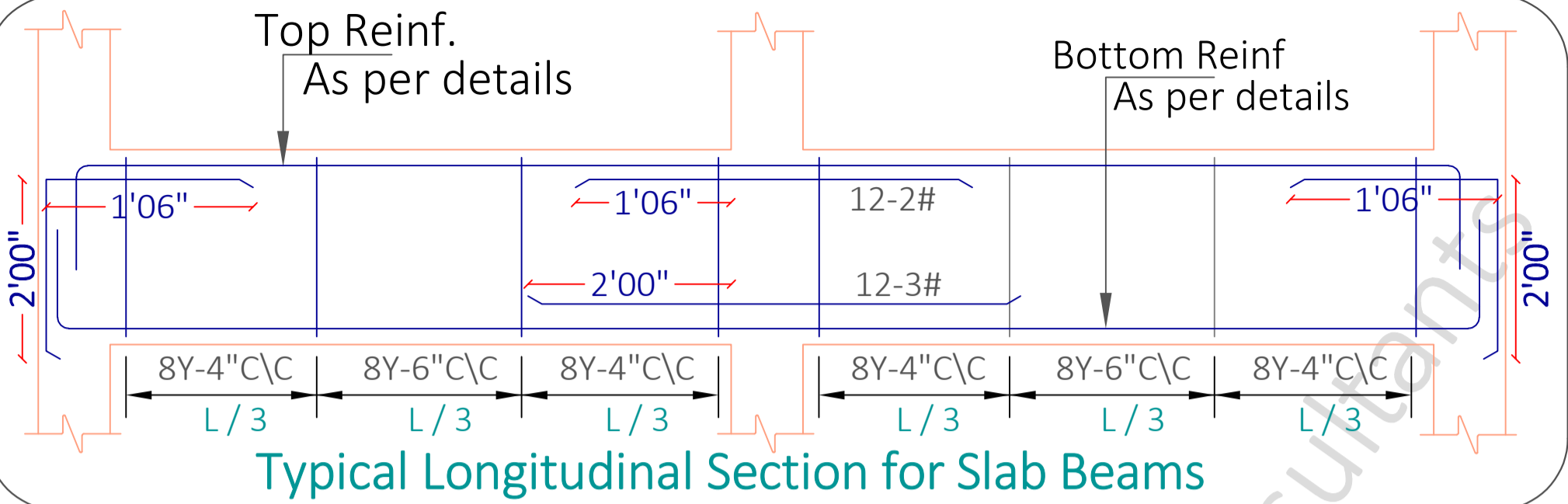
**Figure - 4** Typical Slab Section for all the floors

SHEET TITLE	
S - 1	SF Slab Plan
S - 2	SF Slab Plan & Layout
S - 3	SF Slab Plan & C/S Details
S - 4	

PROJECT BY:-  
**KD Architect Studio**  
 Ar. Lakshay Drall Ji  
 BahadurGarh/Mundka Delhi  
 NCR 110041 INDIA

GF + 4 Story building for  
**NURSING CLG**  
 HRK DESIGNS STRUCTURE CONSULTANTS INDIA PVT LTD  
 Vasna Bayali Road TP2  
 Gotri Road Vadodara - 391014  
 www.hrkdsgns.in  
 Principal Engineer  
 techteam@hrkdsgns.in  
 Gandhidham | Vadodara | Delhi | Mumbai

<b>S-18 SF Slab Plan &amp; Details</b>			
Date - 08/02/2023	PVH	AKA	<b>A3 PRINTS</b>
HRKD/STR/13/02/23	Str Engg.		HRKD/STR/GFC/13/02/23
Str Sign			STR - REV - 3
AKA		Str Stamp	23/08/2024 ***NA***



Typical Longitudinal Section for Slab Beams

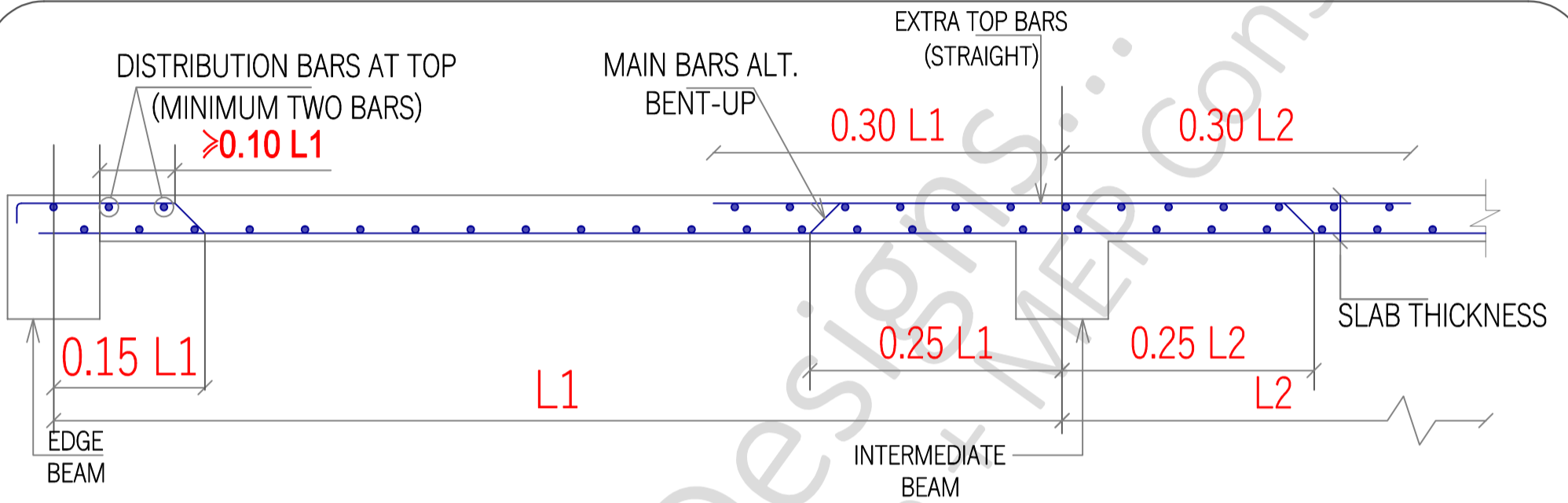
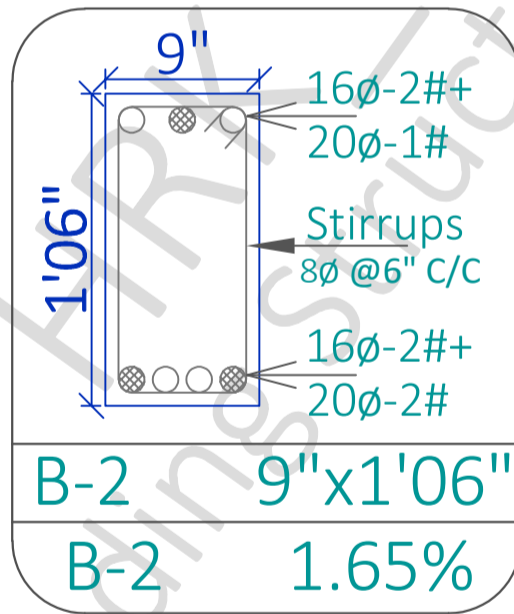
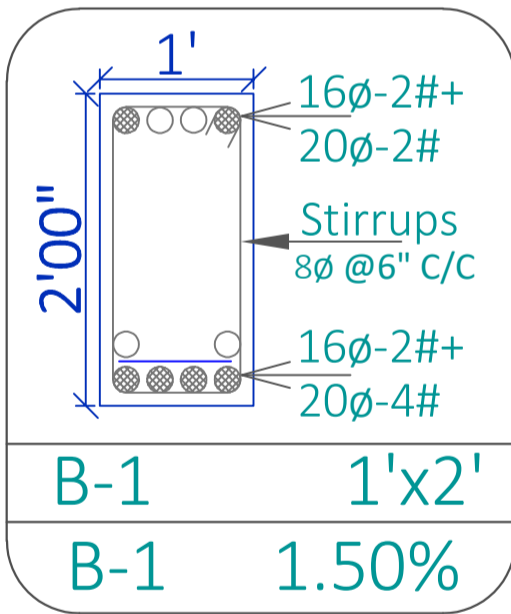


Figure - 4

Typical Slab Section for all the floors



Slab Thickness = 6"

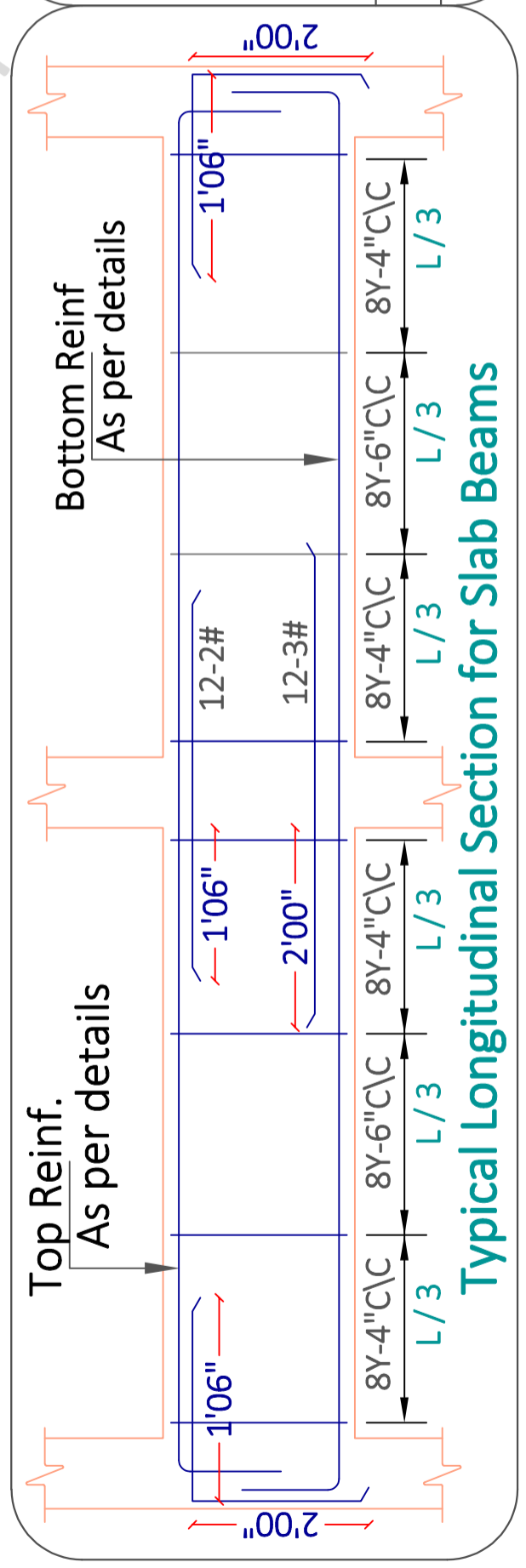
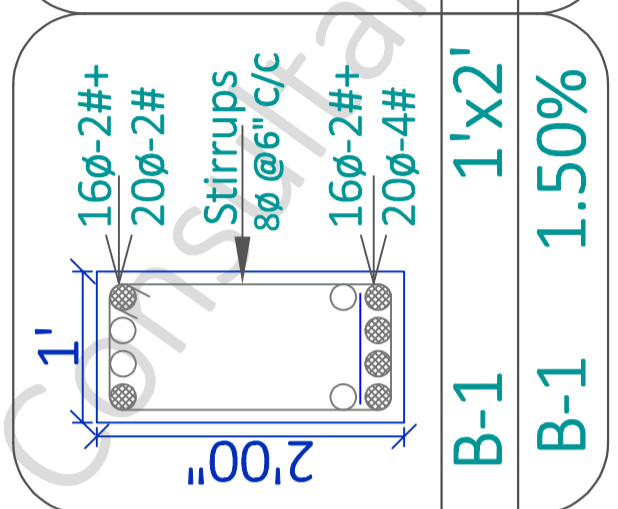
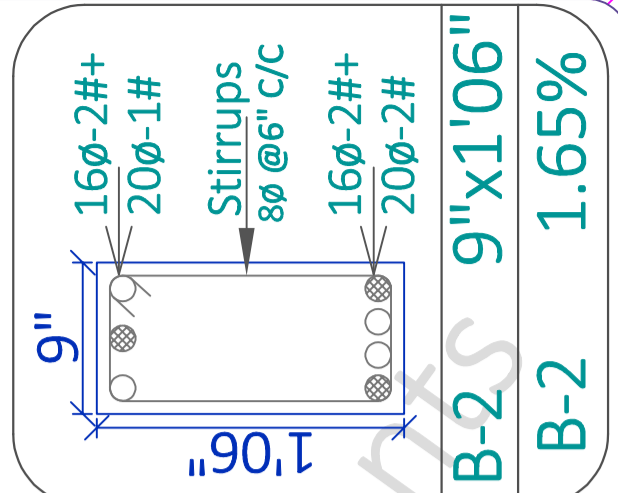
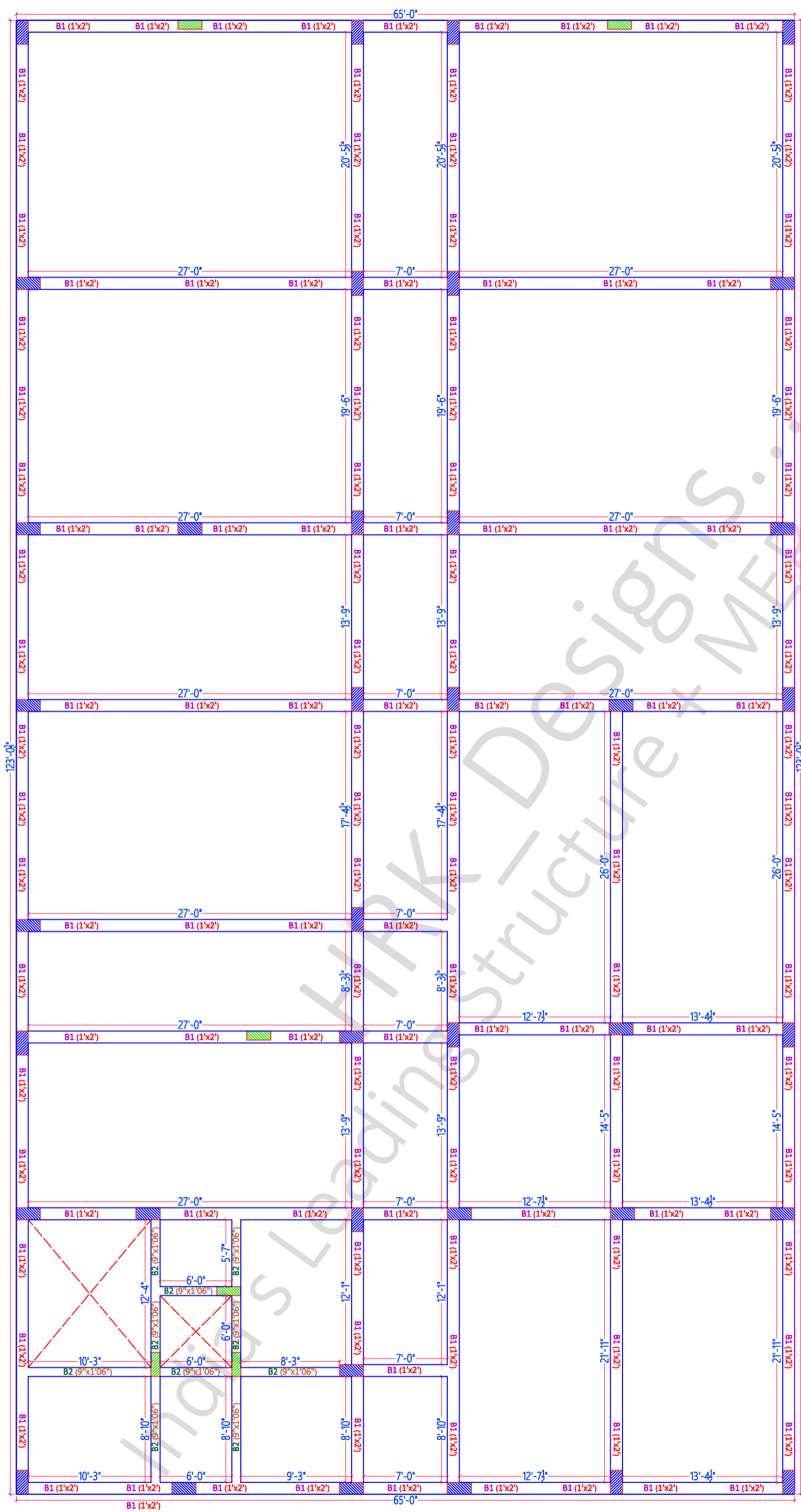
10∅ Bent-up bars @ 5" C/C

10∅ Straight bars @ 5" C/C

12∅ Extra bars @ 1' C/C (Junctions & Ends)

- SMALLER DIA REINFORCEMENT BAR
- LARGER DIA REINFORCEMENT BAR

SHEET TITLE		PROJECT BY:-		GF + 4 Story building for		S-19 SF Beam & Reinf <sup>^</sup> Details	
S - 1	SF Beam C/S Details	KD Architect Studio		NURSING CLG		Date - 08/02/2023	PVH AKA
S - 2	SF Slab C/S Details	Ar. Lakshay Drall Ji		BahadurGarh/Mundka Delhi		HRKD/STR/13/02/23	Str Engg.
S - 3	SF Beam Reinf <sup>^</sup> C/S Details	NCR 110041 INDIA		HRK DESIGNS STRUCTURE CONSULTANTS INDIA PVT LTD		Str Sign	Str Stamp
S - 4	SF Slab Reinf <sup>^</sup> Details			Vasna Bayali Road TP2 Gotri Road Vadodara - 391014		AKA	AKA
						Principal Engineer	23/08/2024
						HRK DESIGNS	STR - REV - 3
						Gandhidham   Vadodara   Delhi   Mumbai	***NA***



SHEET TITLE

S - 1	3F Beam Plan
S - 2	3F Beam Plan & Layout
S - 3	3F Beam Plan & C/S Details
S - 4	

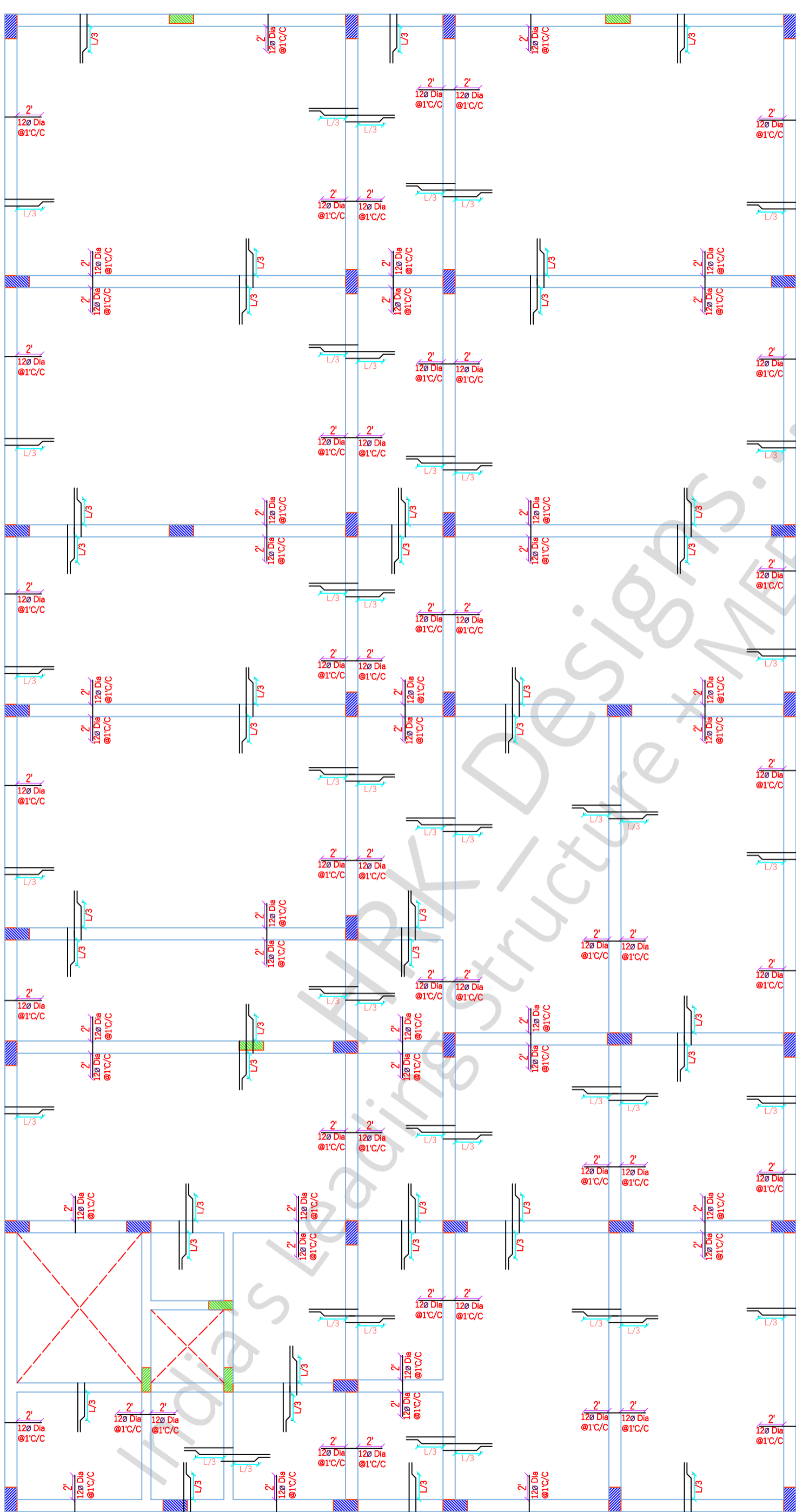
PROJECT BY:-  
**KD Architect Studio**  
 Ar. Lakshay Drall Ji  
 BahadurGarh/Mundka Delhi  
 NCR 110041 INDIA

GF + 4 Story  
 building for  
**NURSING CLG**

HRK DESIGNS STRUCTURE CONSULTANTS INDIA PVT LTD  
 Vasna Bayali Road TP2  
 Gotri Road Vadodara - 391014  
 www.hrkdsgns.in  
 techteam@hrkdsgns.in  
 HRK Designs  
 Gandhidham | Vadodara | Delhi | Mumbai

S-20 3F Beam Plan & Details

Date - 08/02/2023	PVH	AKA	A3 PRINTS
HRKD/STR/13/02/23	Str Engg.		HRKD/STR/GFC/13/02/23
Str Sign	AKA	Str Stamp	STR - REV - 3 23/08/2024



**Slab Thickness = 6"**  
**10Ø Bent-up bars @ 5" C/C**  
**10Ø Straight bars @ 5" C/C**  
**12Ø Extra bars @ 1' C/C**  
 (Junctions & Ends)

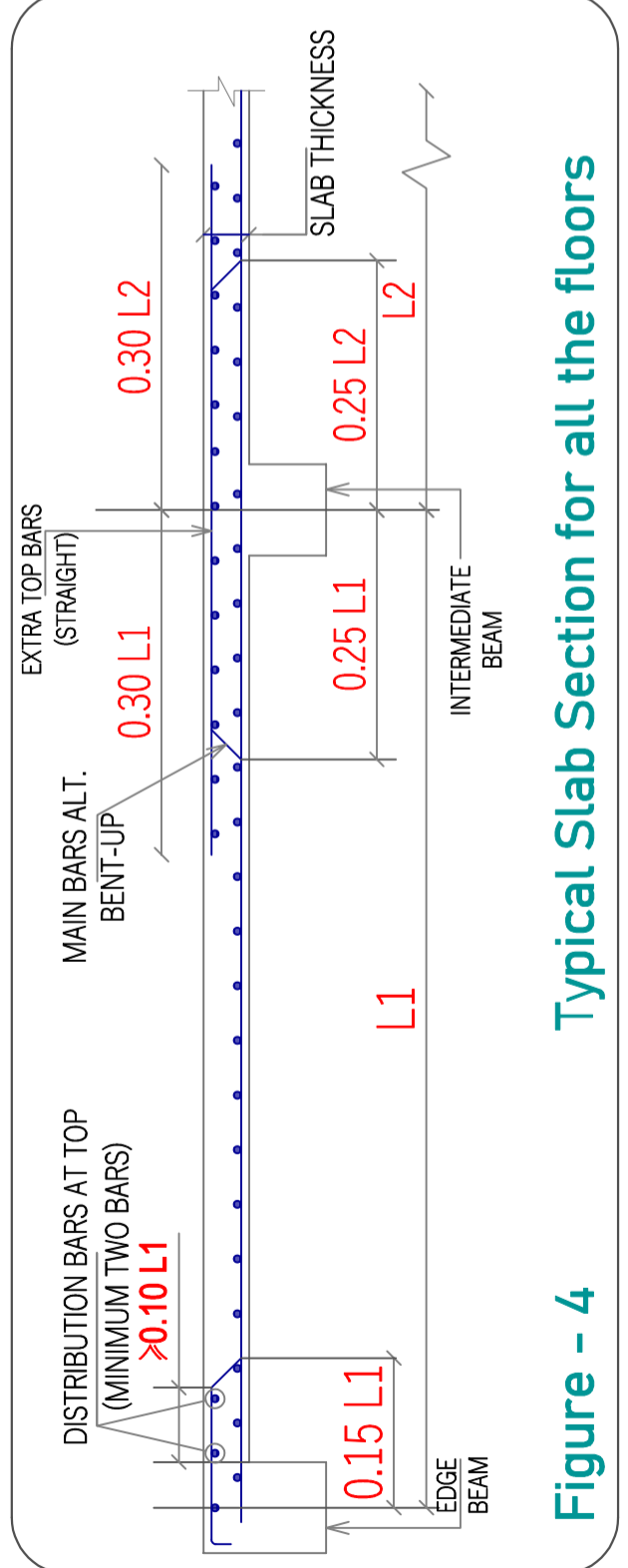


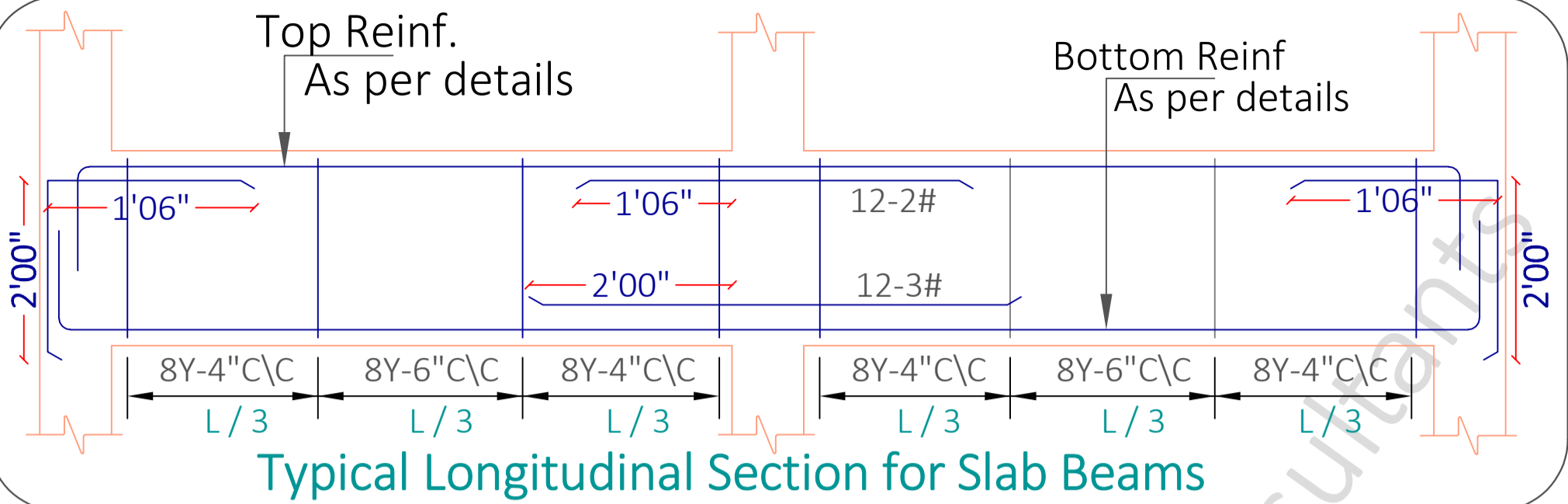
Figure - 4 Typical Slab Section for all the floors

SHEET TITLE	
S - 1	3F Slab Plan
S - 2	3F Slab Plan & Layout
S - 3	3F Slab Plan & C/S Details
S - 4	

PROJECT BY:-  
**KD Architect Studio**  
 Ar. Lakshay Drall Ji  
 BahadurGarh/Mundka Delhi  
 NCR 110041 INDIA

GF + 4 Story building for  
**NURSING CLG**  
 HRK DESIGNS STRUCTURE CONSULTANTS INDIA PVT LTD  
 Vasna Bayali Road TP2  
 Gotri Road Vadodara - 391014  
 www.hrkdsgns.in  
 techteam@hrkdsgns.in  
 Gandhidham | Vadodara | Delhi | Mumbai

<b>S-21 3F Slab Plan &amp; Details</b>			
Date - 08/02/2023	PVH	AKA	<b>A3 PRINTS</b>
HRKD/STR/13/02/23	Str Engg.		HRKD/STR/GFC/13/02/23
Str Sign			STR - REV - 3
Principal Engineer	AKA		23/08/2024 ***NA***
		Str Stamp	



Typical Longitudinal Section for Slab Beams

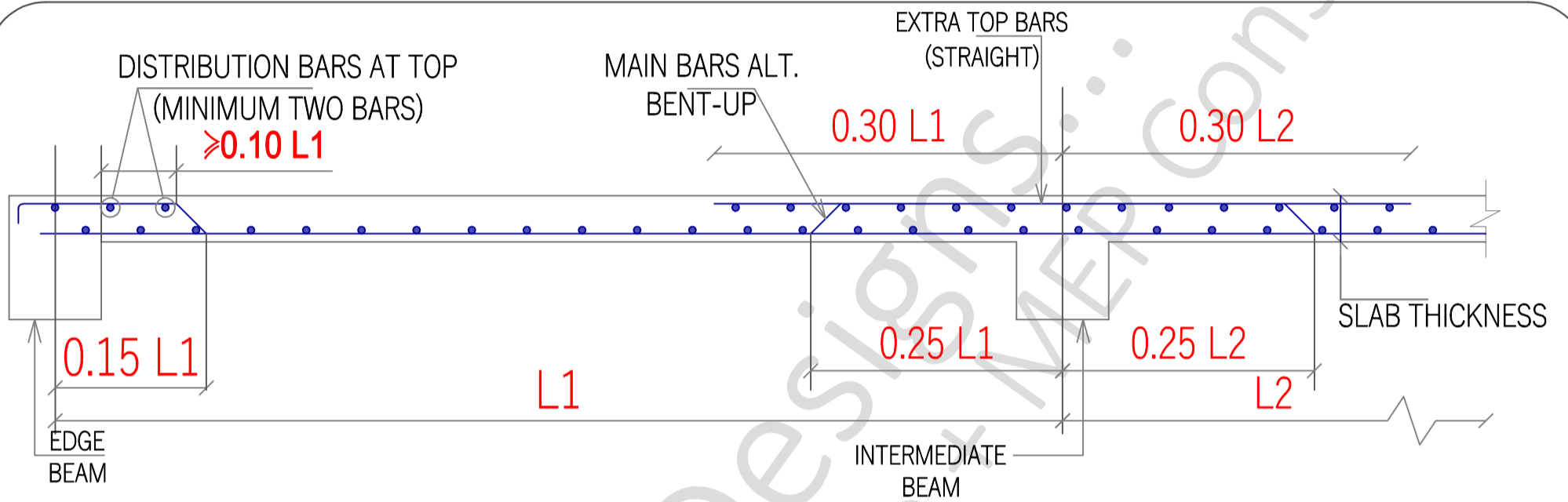
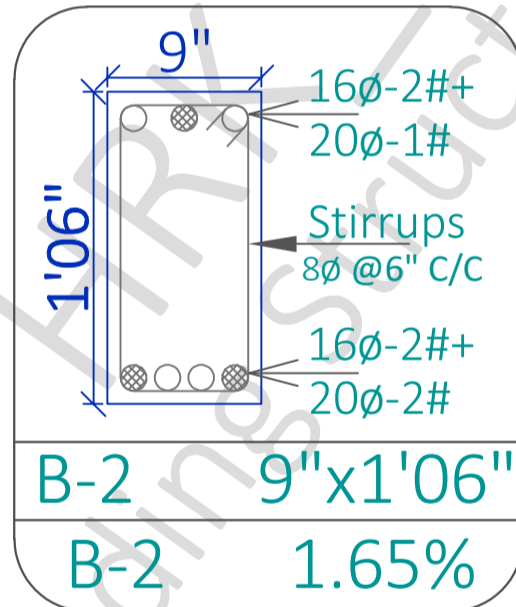
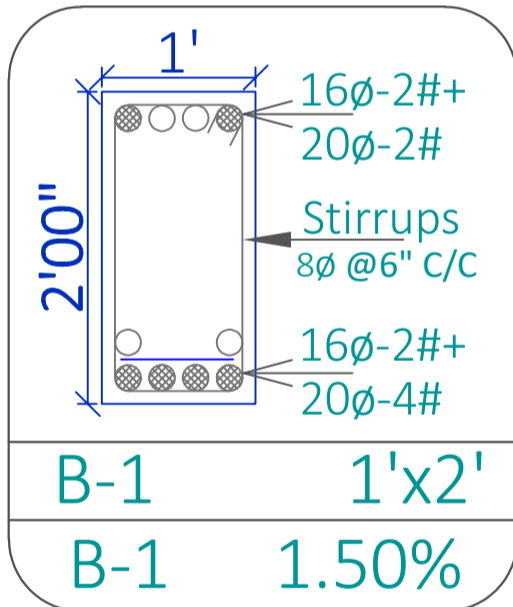


Figure - 4

Typical Slab Section for all the floors



Slab Thickness = 6"

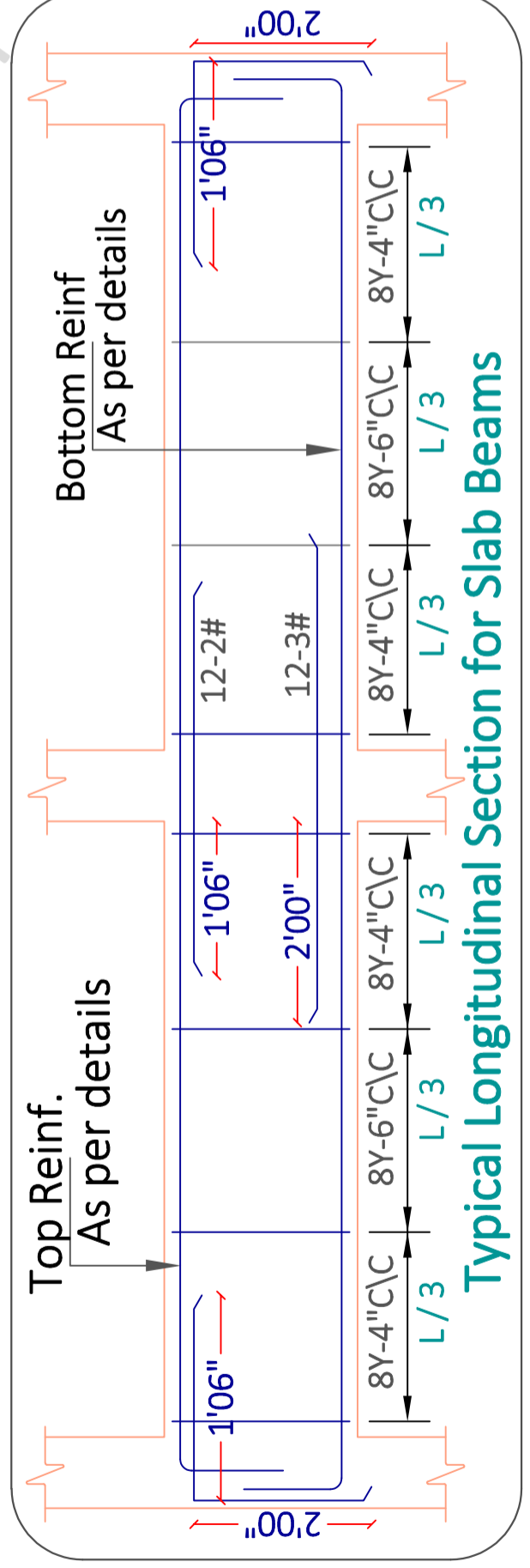
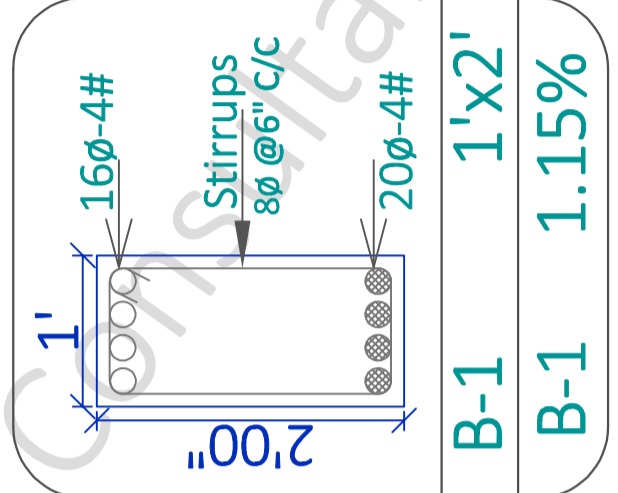
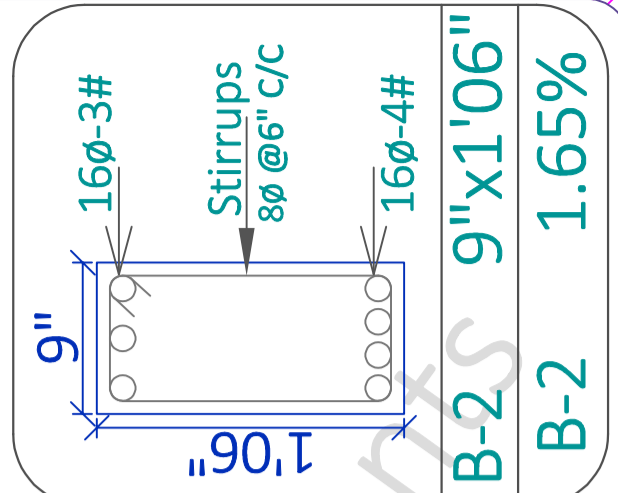
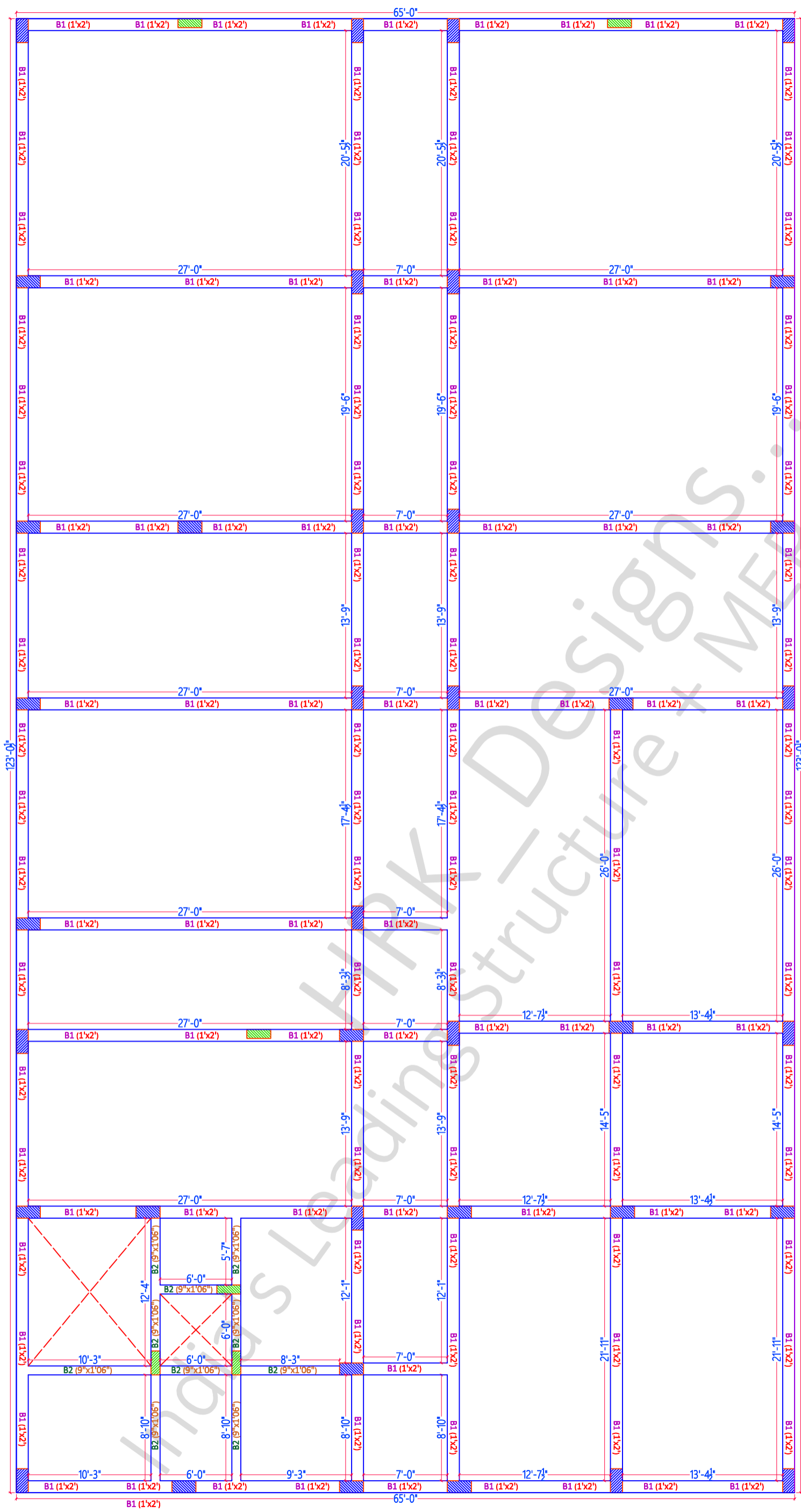
10∅ Bent-up bars @ 5" C/C

10∅ Straight bars @ 5" C/C

12∅ Extra bars @ 1' C/C (Junctions & Ends)

- SMALLER DIA REINFORCEMENT BAR
- LARGER DIA REINFORCEMENT BAR

SHEET TITLE		PROJECT BY:-		GF + 4 Story building for		S-22 3F Beam & Reinf <sup>^</sup> Details	
S - 1	3F Beam C/S Details	KD Architect Studio	Ar. Lakshay Drall Ji	NURSING CLG	HRK DESIGNS STRUCTURE CONSULTANTS INDIA PVT LTD	Date - 08/02/2023	PVH AKA
S - 2	3F Slab C/S Details	BahadurGarh/Mundka Delhi	NCR 110041 INDIA		Vasna Bayali Road TP2 Gotri Road Vadodara - 391014	HRKD/STR/13/02/23	Str Engg.
S - 3	3F Beam Reinf <sup>^</sup> C/S Details				www.hrkdsgns.in	Str Sign	AKA
S - 4	3F Slab Reinf <sup>^</sup> Details				techteam@hrkdsgns.in	Str Stamp	AKA



Typical Longitudinal Section for Slab Beams

SHEET TITLE

S - 1	4F Beam Plan
S - 2	4F Beam Plan & Layout
S - 3	4F Beam Plan & C/S Details
S - 4	

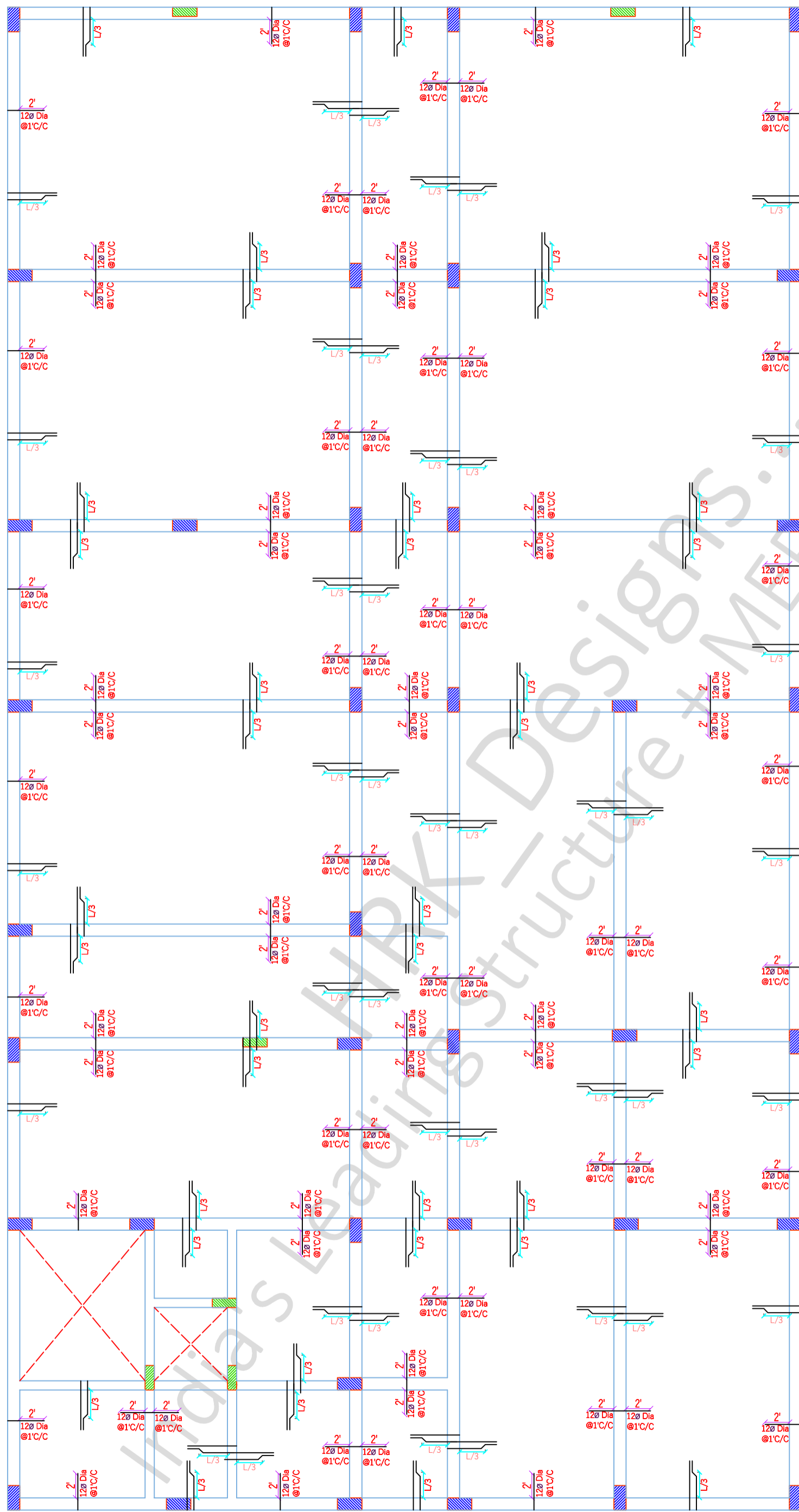
PROJECT BY:-  
**KD Architect Studio**  
 Ar. Lakshay Drall Ji  
 BahadurGarh/Mundka Delhi  
 NCR 110041 INDIA

GF + 4 Story  
 building for  
**NURSING CLG**

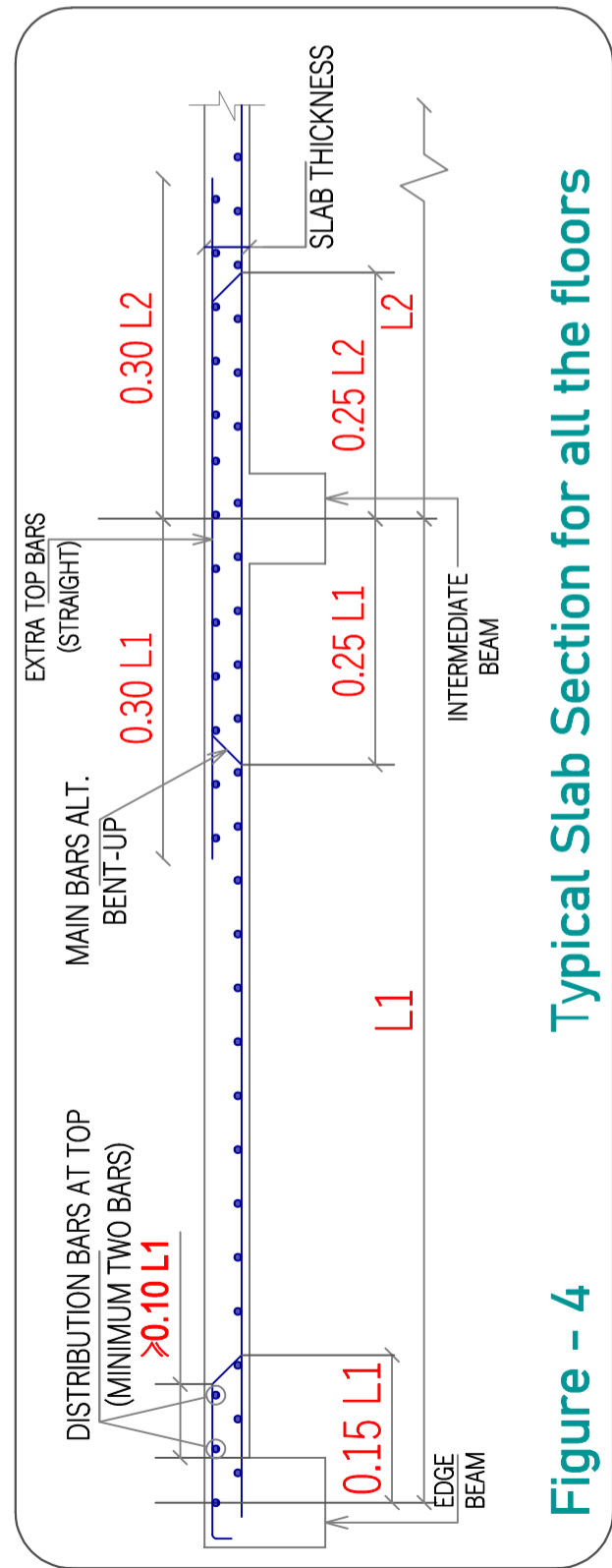
HRK DESIGNS STRUCTURE  
 CONSULTANTS INDIA PVT LTD  
 Vasna Bayali Road TP2  
 Gotri Road Vadodara -  
 391014  
 www.hrkdsgns.in  
 techteam@hrkdsgns.in

**S-23 4F Beam Plan & Details**

Date - 08/02/2023	PVH	AKA	A3 PRINTS
HRKD/STR/13/02/23	Str Engg.		HRKD/STR/GFC/13/02/23
Str Sign	AKA	Str Stamp	STR - REV - 3 23/08/2024



**Slab Thickness = 6"**  
**10∅ Bent-up bars @ 5" C/C**  
**10∅ Straight bars @ 5" C/C**  
**12∅ Extra bars @ 1' C/C**  
 (Junctions & Ends)



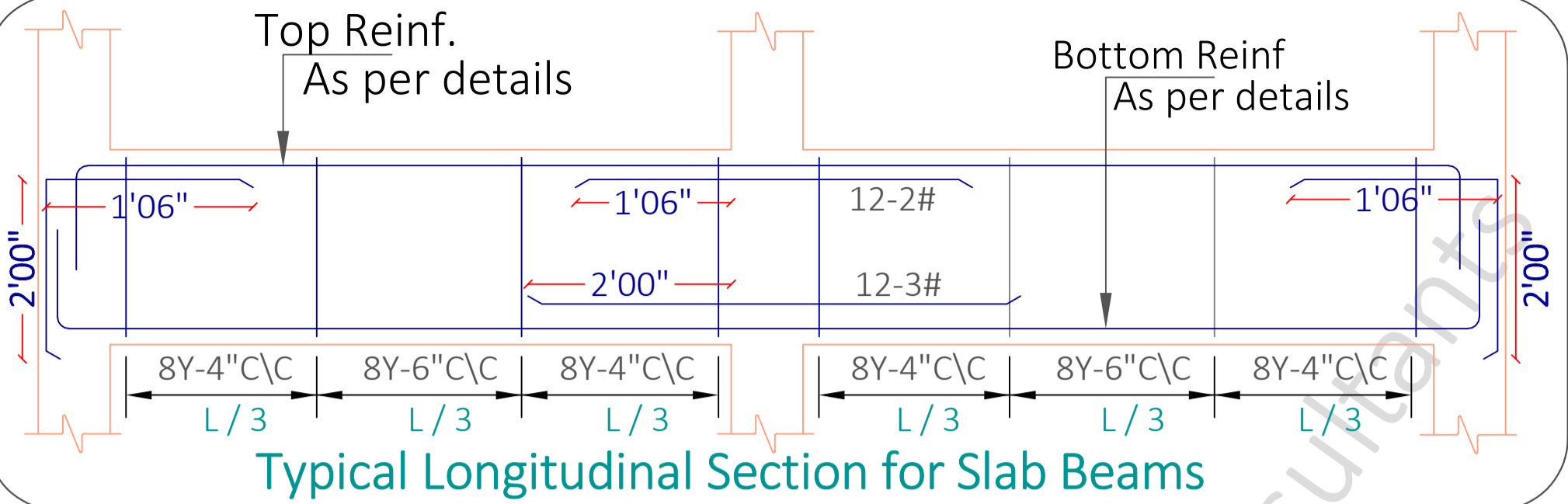
**Figure - 4** Typical Slab Section for all the floors

SHEET TITLE	
S - 1	4F Slab Plan
S - 2	4F Slab Plan & Layout
S - 3	4F Slab Plan & C/S Details
S - 4	

PROJECT BY:- <b>KD Architect Studio</b> Ar. Lakshay Drall Ji
BahadurGarh/Mundka Delhi NCR 110041 INDIA

GF + 4 Story building for  
**NURSING CLG**  
 HRK DESIGNS STRUCTURE CONSULTANTS INDIA PVT LTD  
 Vasna Bayali Road TP2  
 Gotri Road Vadodara - 391014  
 www.hrkdsgns.in  
 techteam@hrkdsgns.in  
 HRK DESIGNS  
 Gandhidham | Vadodara | Delhi | Mumbai

<b>S-24 4F Slab Plan &amp; Details</b>			
Date - 08/02/2023	PVH	AKA	<b>A3 PRINTS</b>
HRKD/STR/13/02/23	Str Engg.		HRKD/STR/GFC/13/02/23
Str Sign	AKA	Str Stamp	STR - REV - 3
Principal Engineer			23/08/2024 ***NA***



Typical Longitudinal Section for Slab Beams

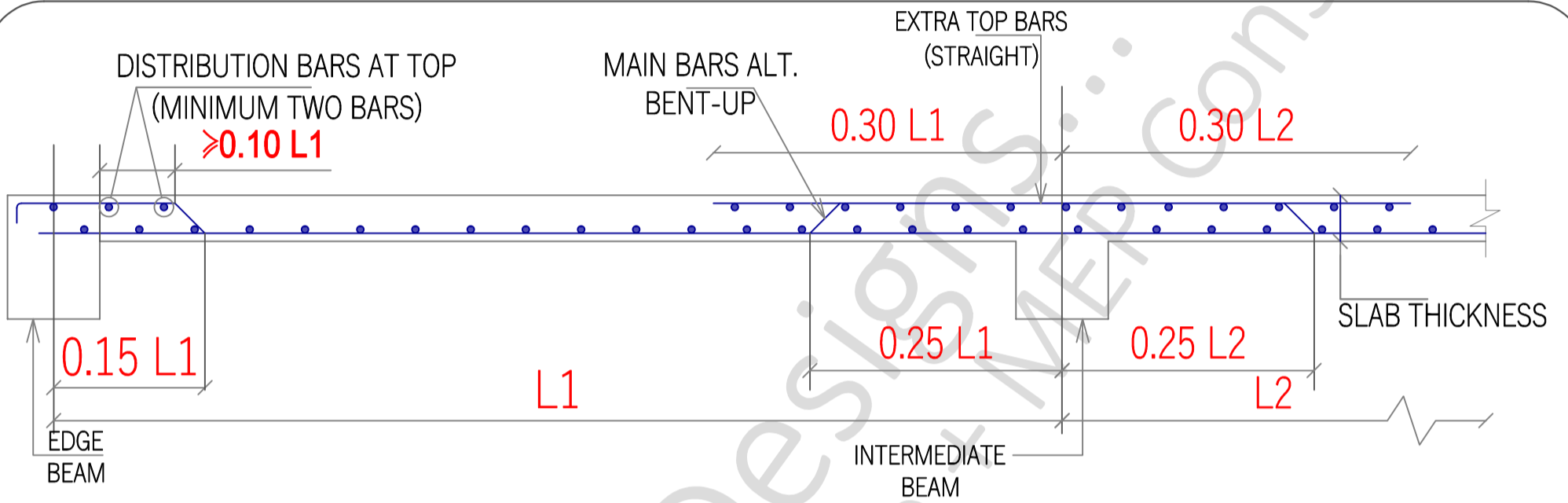
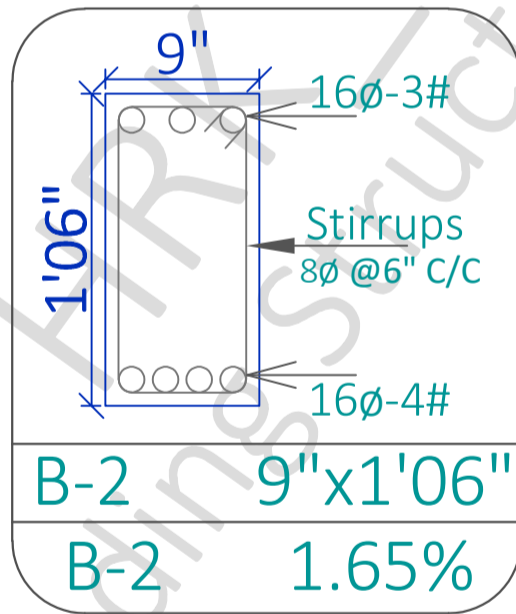
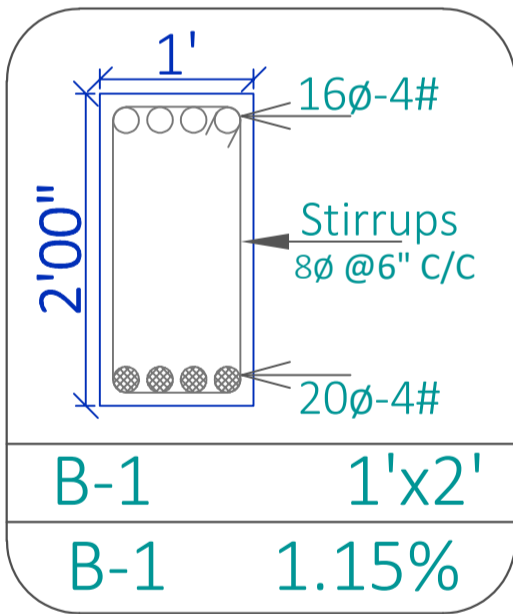


Figure - 4

Typical Slab Section for all the floors



Slab Thickness = 6"

10Ø Bent-up bars @ 5" C/C

10Ø Straight bars @ 5" C/C

12Ø Extra bars @ 1' C/C (Junctions & Ends)

- SMALLER DIA REINFORCEMENT BAR
- LARGER DIA REINFORCEMENT BAR

SHEET TITLE		PROJECT BY:-		GF + 4 Story building for		S-25 4F Beam & Reinf^ Details	
S - 1	4F Beam C/S Details	KD Architect Studio	Ar. Lakshay Drall Ji	NURSING CLG	HRK DESIGNS STRUCTURE CONSULTANTS INDIA PVT LTD	Date - 08/02/2023	PVH AKA
S - 2	4F Slab C/S Details	BahadurGarh/Mundka Delhi	NCR 110041 INDIA		Vasna Bayali Road TP2 Gotri Road Vadodara - 391014	HRKD/STR/13/02/23	Str Engg.
S - 3	4F Beam Reinf^ C/S Details				www.hrkdesigns.in	Str Sign	AKA
S - 4	4F Slab Reinf^ Details				techteam@hrkdesigns.in	Principal Engineer	Str Stamp
						HRK DESIGNS	A3 PRINTS
						Gandhidham   Vadodara   Delhi   Mumbai	HRKD/STR/GFC/13/02/23
							STR - REV - 3
							23/08/2024 ***NA***